



TELESCOPIC HANDLERS
T35105 STAGE IIIB



One Tough Animal™

T35105 STAGE IIIB – SPECIFICATIONS

Performance

Lifting height	10290.0 mm
Rated capacity	3500 kg
Capacity (at max. height)	600 kg
Capacity (at max. height on tyres)	600 kg
Capacity (at max. reach)	600 kg
Max. reach	6886.0 mm
Crowding force	7800 daN

Weights

Weight (unladen)	7420 kg
------------------	---------

Traction

Standard tyres	SOLIDEAL 405/70-20 14PR
Low speed (forward/reverse)	8.5 km/h
High speed (forward/reverse)	30.0 km/h

Drive System

Main drive	Hydrostatic motor
Transmission	Hydrostatic with electronic regulation

Engine

Make / Model	Deutz TCD 3.6 L4
Fuel	Diesel
Cooling	Liquid
Rated power (DIN 6271) at 2200 RPM	74.4 kW
Maximum torque at 1600 RPM:	410.0 Nm
Number of cylinders	4
Displacement	3.62 L

Hydraulic System

Pump type	Gear pump with LS valve
-----------	-------------------------

Cycle Times

Lift time - no load	9.8 s
Lower time - no load	6.0 s
Telescope in time at max. reach - no load	7.0 s
Telescope in time at max. height - no load	7.0 s
Telescope out time at max. reach - no load	10.4 s
Telescope out time at max. height - no load	10.4 s

Brakes

Engine braking	Hydrostatic
Parking and emergency brake	Negative brake with hydraulic command

Fluid Capacities

Axles and reduction gears front / rear	8.1/8.1 L
Fuel tank	130.00 L
Hydraulic reservoir [HYDRAULIC]	71.00 L

Standard Features

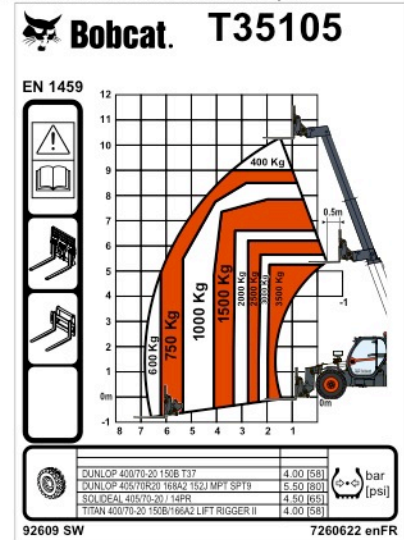
Aggravating Movements Arrester (AMA)	Right and left side mirrors
Hydrostatic transmission	Two way hydraulic supply at the end of the boom
ROPS/FOPS operator cab	Mudguards
Heating, demisting and ventilation	Mechanical lock of the equipment
Front and rear washer/wipers	Standard 405/70x20 tyres
Suspension seat	Pallet Forks 1200mm length / Floating / 1,12m carriage /
Road lights	Forks included / Backrest included / For Quicktach tool carrier
Turn signals	Max travel speed 30 km/h (with 24 inch tyres)
	Turbo-charged Deutz TCD 3.6 L4 engine - Stage IIIB / Tier 4i

Environmental

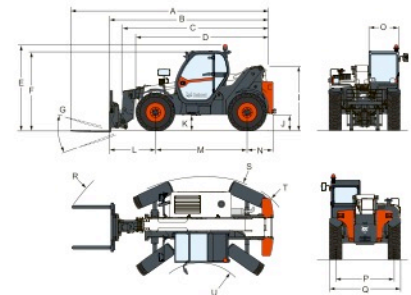
Sound pressure level (LpA)	76 dB(A)
Level of acoustic power (LWA)	106 dB(A)
Whole body vibration (ISO 2631-1)	0.90 ms ⁻²

Load Charts

With forks and standard 405/70x20 tyres



Dimensions



(-) 857.0 mm	(L) 1422.0 mm
(A) 6276.0 mm	(M) 2850.0 mm
(B) 5071.0 mm	(N) 799.0 mm
(C) 4936.0 mm	(O) 930.0 mm
(D) 4192.0 mm	(P) 1862.0 mm
(E) 2584.0 mm	(Q) 2264.0 mm
(F) 2389.0 mm	(R) 5025.0 mm
(G) 143°	(S) 5116.0 mm
(I) 1941.0 mm	(T) 3765.0 mm
(J) 415.0 mm	(U) 1245.0 mm

Options

Air conditioning	Protective grill for windshield
Air suspension seat	Rear Mirror
Back-up alarm	Roof window wiper
Boom wiring harness	Rotating beacon
Carriage with hydraulic attachment lock	Sun visor
QUICKTACH (Boom wiring harness mandatory)	Support for registration plate
Cold weather starting	Work lights on boom
Custom colour	Cyclonic air prefilter
Draw bar coupler tow hitch	Proportional engine fan with inverter
Forward/Reverse control on Steering Wheel Lever (no longer on joystick)	Remote control system with on-board charger
Lockable fuel cap	
Loudspeaker & radio ready	



Bobcat®

www.bobcat.eu