

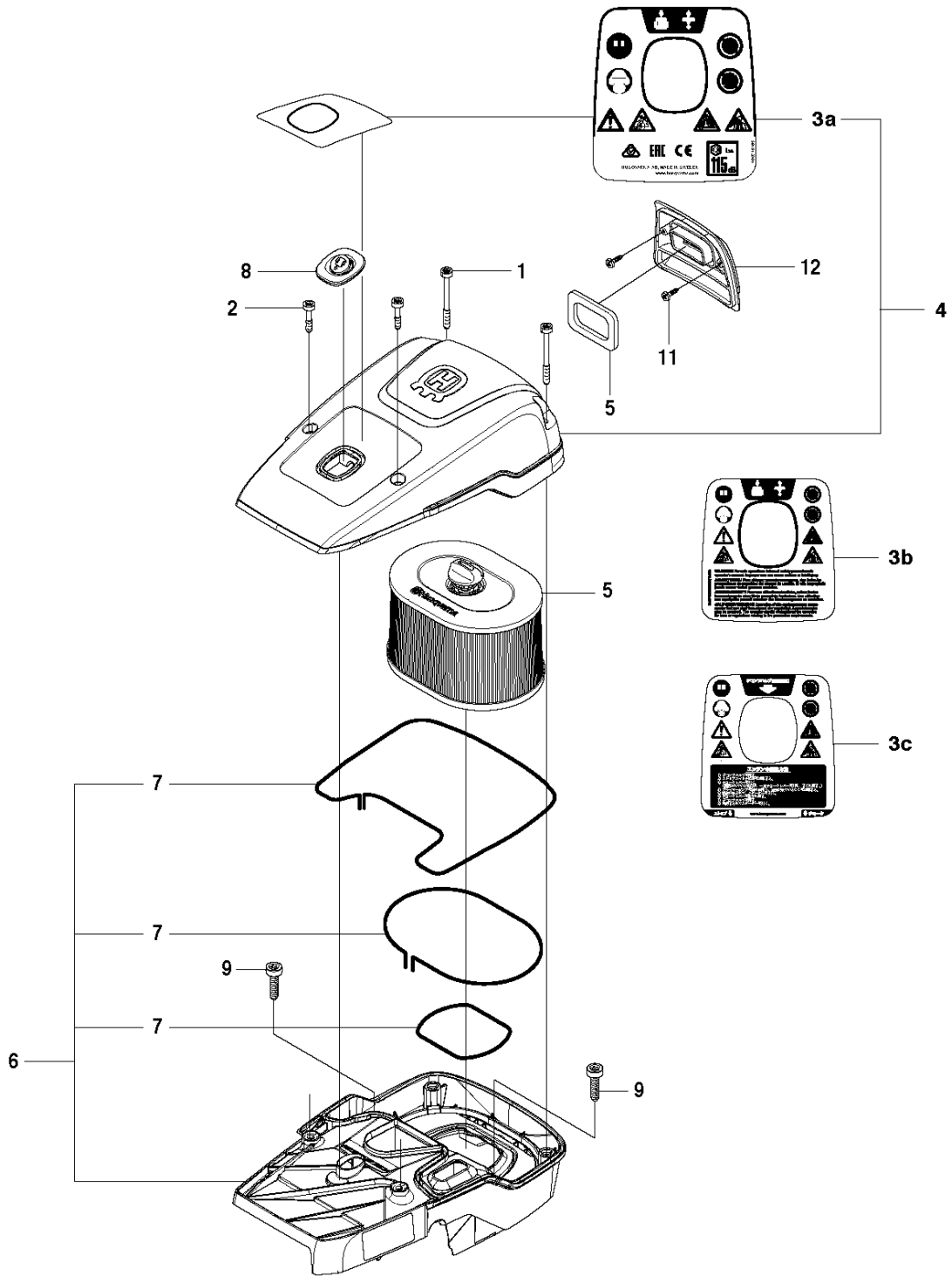


SPARE PARTS LIST

POWER CUTTERS

K970 II RING, 2015-03

K970 II Ring



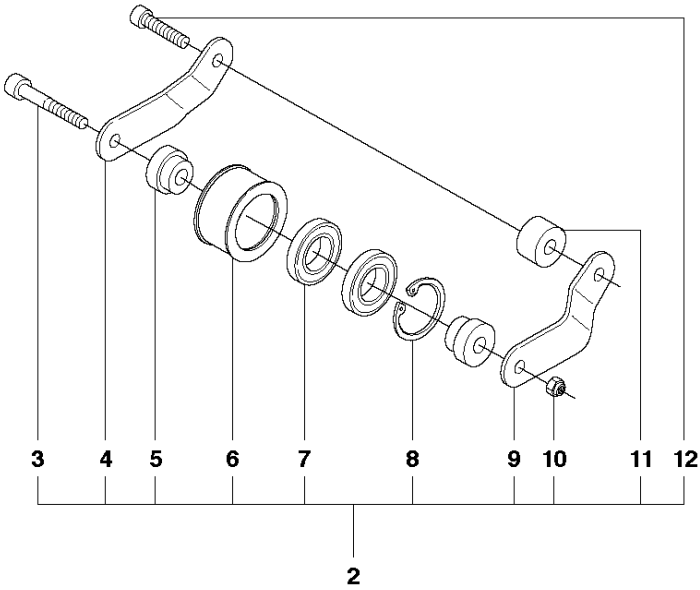
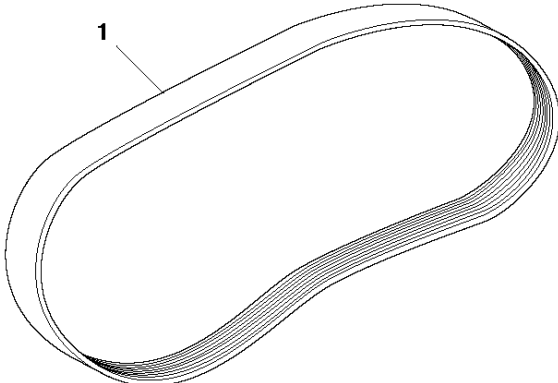
10 **K970 RING**

AIR FILTER COVER

K970 II RING, 2015-03

Ref	Part No	Description	Remark	QTY KIT
1	503 21 53-56	SCREW ITXSCM		2
2	503 21 53-26	SCREW ITXSCM		2
3a	584 91 33-04	DECAL		1
3b	584 91 33-01	DECAL		1
3c	584 91 33-03	DECAL		1
4	587 00 51-02	FILTER COVER ASSY		1
5	510 24 41-04	AIR FILTER		1
6	586 35 64-02	CYLINDER COVER ASSY	Incl. 7	1
7	525 61 70-04	SEALING	L=1,2 M. Cut to fit	2
8	585 42 83-01	PLUG		1
9	503 21 53-30	SCREW ITXSCM		2
10	525 57 16-04	DECAL		1
11	729 52 89-71	SCREW CRPANT		2
12	576 43 14-01	COVER		1
13	578 06 53-01	SEALING		1

K970 II Ring

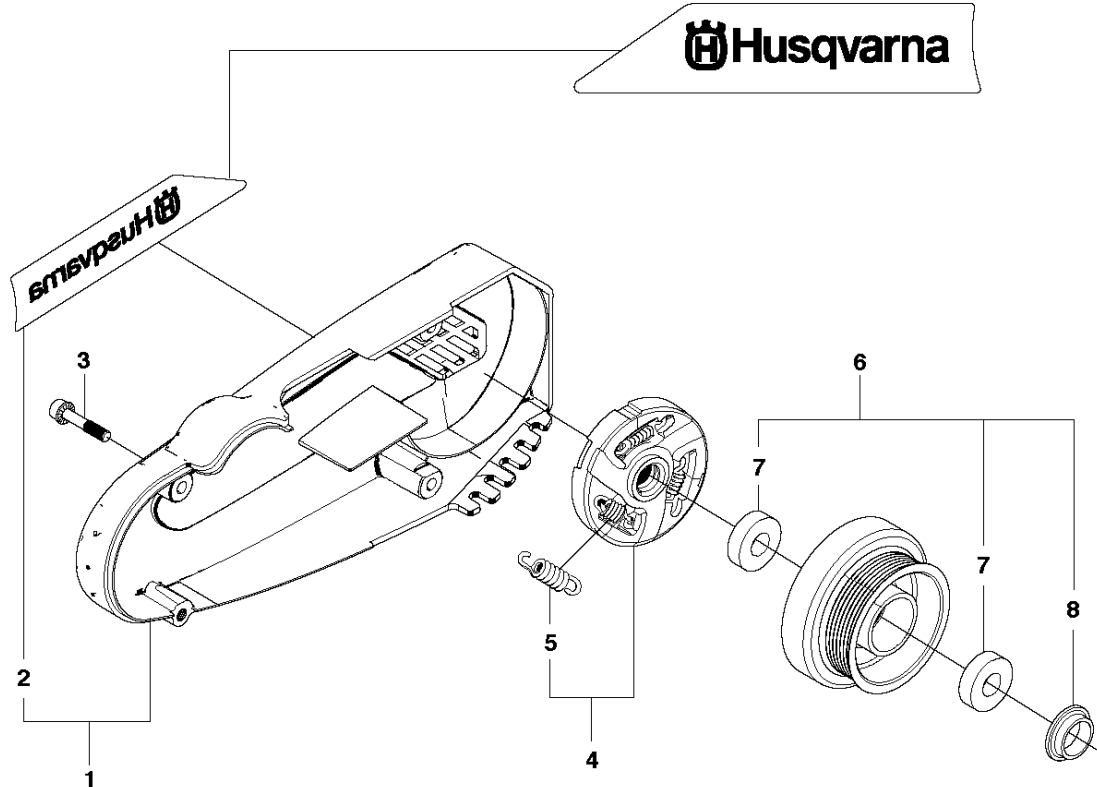


BELT

K970 II RING, 2015-03

Ref	Part No	Description	Remark	QTY KIT
1	544 90 84-01	BELT		1
2	506 28 06-05	BELT TENSIONER ASSY	Incl. 3 - 12	1
3	544 21 84-37	SCREW ITXSCM		1
4	506 33 53-02	LEVER		1
5	506 33 52-01	SPACER		2
6	506 33 51-01	ROLLER		1
7	503 25 24-01	BALL BEARING		2
8	735 31 28-10	CIRCLIP		1
9	506 33 53-01	LEVER		1
10	732 21 16-01	NUT		1
11	506 33 54-01	SPACER		1
12	544 21 84-01	SCREW ITXSCM		1

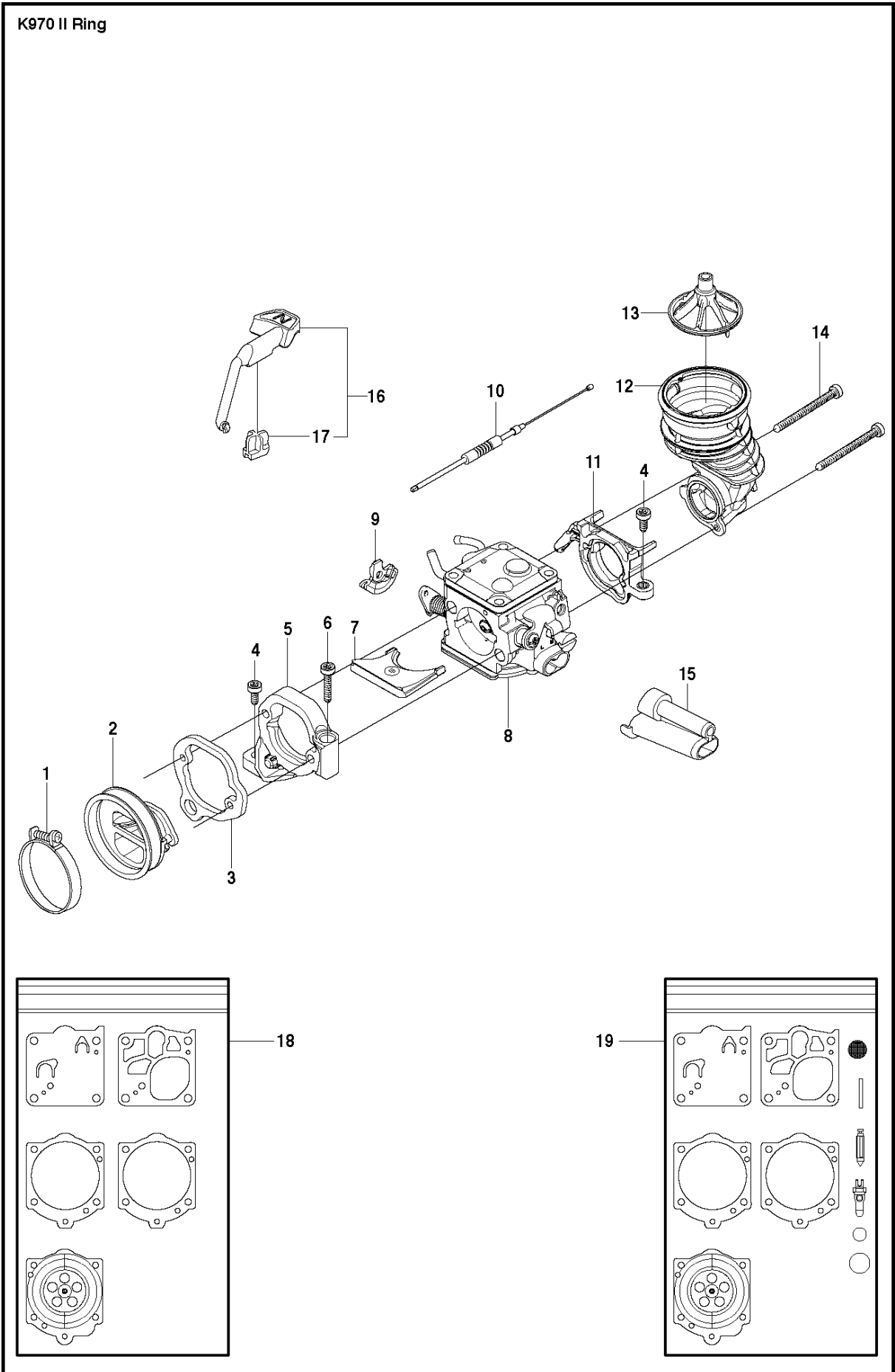
K970 II Ring



BELT GUARD & PULLEY

K970 II RING, 2015-03

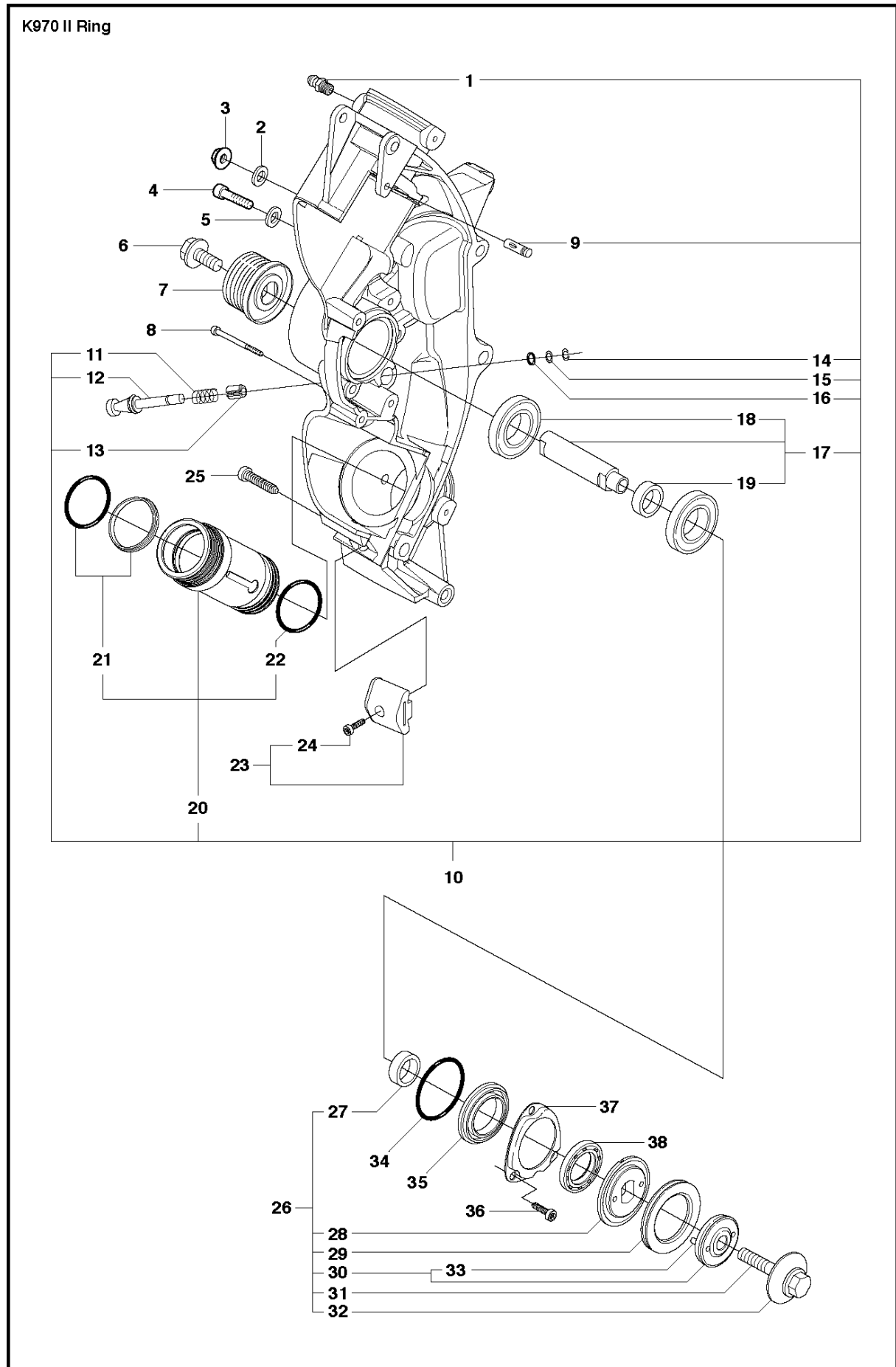
Ref	Part No	Description	Remark	QTY KIT
1	506 28 09-07	BELT GUARD	Incl. 2	1
2	544 93 31-01	LABEL		1
3	503 21 53-21	SCREW ITXSCM		4
4	503 70 15-01	CLUTCH ASSY	Incl. 5	1
5	503 14 51-01	CLUTCH SPRING		3
6	525 62 10-01	DRIVING PULLEY ASSY	Incl 7 - 8	1
7	525 83 18-01	BALL BEARING		2
8	506 31 69-01	DUST COVER		1



CARBURETOR

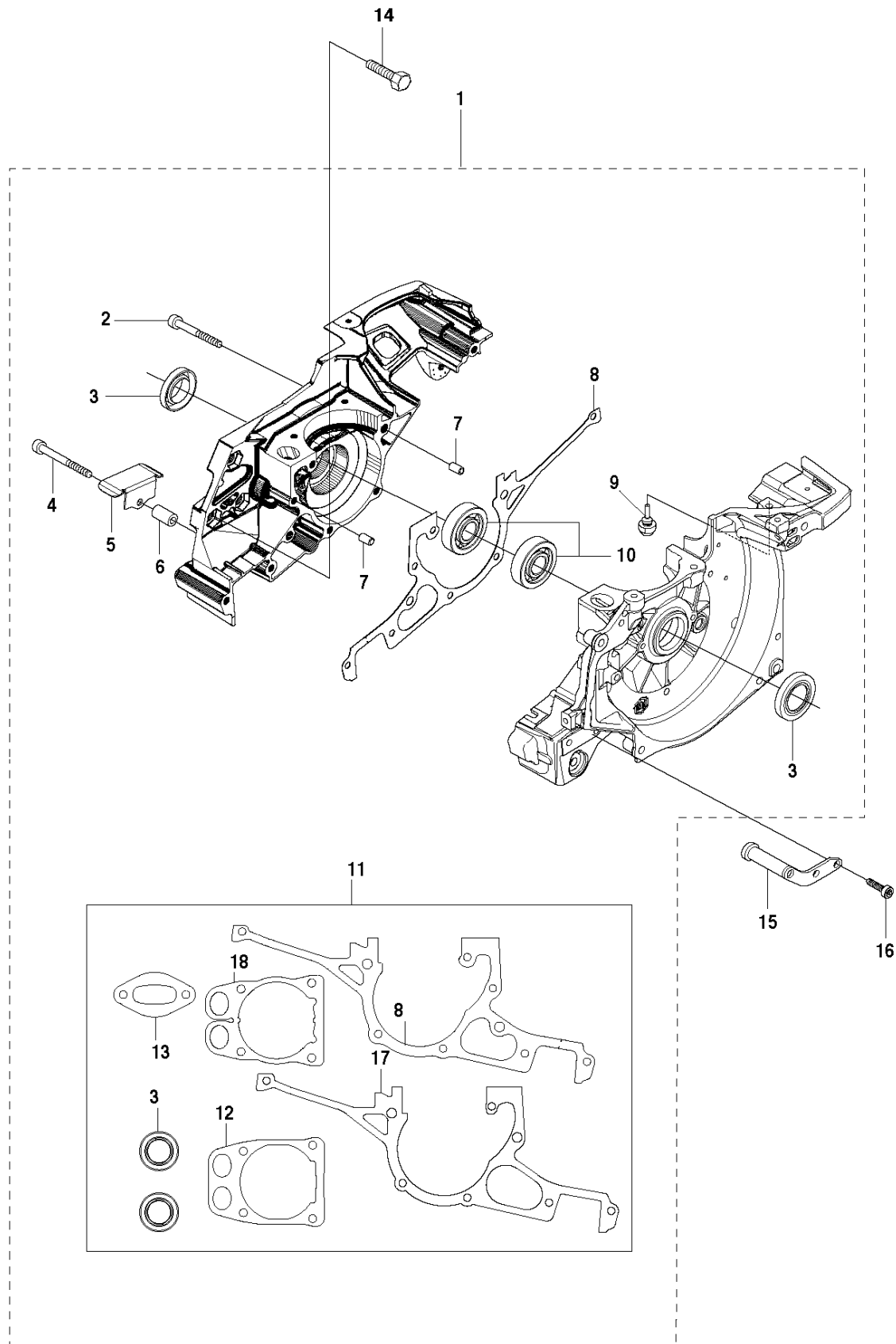
K970 II RING, 2015-03

Ref	Part No	Description	Remark	QTY KIT
1	505 28 33-06	HOSE CLAMP		1
2	506 41 41-01	INLET PIPE		1
3	544 15 01-01	FLANGE		1
4	503 21 53-16	SCREW ITXSCM		2
5	544 11 39-01	CONSOLE		1
6	503 21 53-30	SCREW ITXSCM		1
7	506 41 42-01	PLATE		1
8	584 91 30-01	CARBURETTOR	Walbro RWJ-5	1
9	505 14 84-01	LEVER		1
10	576 49 04-01	THROTTLE CABLE ASSY		1
11	522 85 62-01	FLANGE INLET PIPE		1
12	521 92 67-01	INLET PIPE		1
13	510 24 39-01	FILTER		1
14	501 97 18-01	SCREW ITXSCM		2
15	586 06 21-01	CHISEL GUIDE		1
16	506 23 20-11	CHOKE	Incl. 17	1
17	506 27 25-01	WEAR PROTECTION		1
18	502 44 58-01	GASKET KIT	Walbro RWJ-5	1
19	502 44 59-02	REPAIR KIT	Walbro RWJ-5	1



Ref	Part No	Description	Remark	QTY KIT
1	738 88 10-01	LUBRICATION NIPPLE		2
2	503 22 00-01	HEXAGON NUT		2
3	503 23 04-01	WASHER		2
4	725 54 59-05	SCREW IHSCM		1
5	503 23 04-03	WASHER		1
6	503 20 00-45	SCREW EHHFM		1
7	506 27 75-01	PULLEY		1
8	501 98 10-80	SCREW ITXSCM		1
9	721 12 52-70	GROOVED PIN		1
10	506 38 90-07	CHASSIS	Incl. 1, 9, 11 - 17, 20	1
11	506 25 73-01	COMPRESSION SPRING		1
12	506 32 80-01	LOCKING BUTTON		1
13	721 44 06-00	SPRING PIN		1
14	735 31 08-00	CIRCLIP		1
15	503 23 01-12	WASHER		1
16	503 26 30-22	O-RING		2
17	506 35 15-02	DRIVE SHAFT	Incl. 18 - 19	1
18	583 95 33-01	BALL BEARING		2
19	506 37 50-02	SPACER		1
20	544 07 76-01	SLEEVE	Incl. 21 - 22	2
21	506 34 39-01	WIRE		2
22	740 48 25-02	O-RING		2
23	506 35 19-03	WEAR PROTECTION	Incl. 24	1
24	505 57 41-01	SCREW ITXSCM		1
25	503 21 53-20	SCREW ITXSCM		1
26	506 35 23-04	GEAR WHEEL ASSY	Incl. 27 - 32	1
27	506 37 49-01	SLEEVE		1
28	506 37 46-02	FLANGE WASHER		1
29	506 17 83-04	GEAR WHEEL		1
30	506 31 22-02	DRIVER	Incl. 33	1
31	506 13 96-01	SCREW EHHFM		1
32	506 13 95-11	WASHER		1
33	721 42 52-50	SPRING PIN		2
34	740 42 24-00	O-RING		1
35	506 37 48-01	SEALING HOLDER		1
36	503 21 53-12	SCREW ITXSCM		3
37	506 37 47-01	SEALING COLLAR		1
38	503 26 21-01	SEALING RING		1

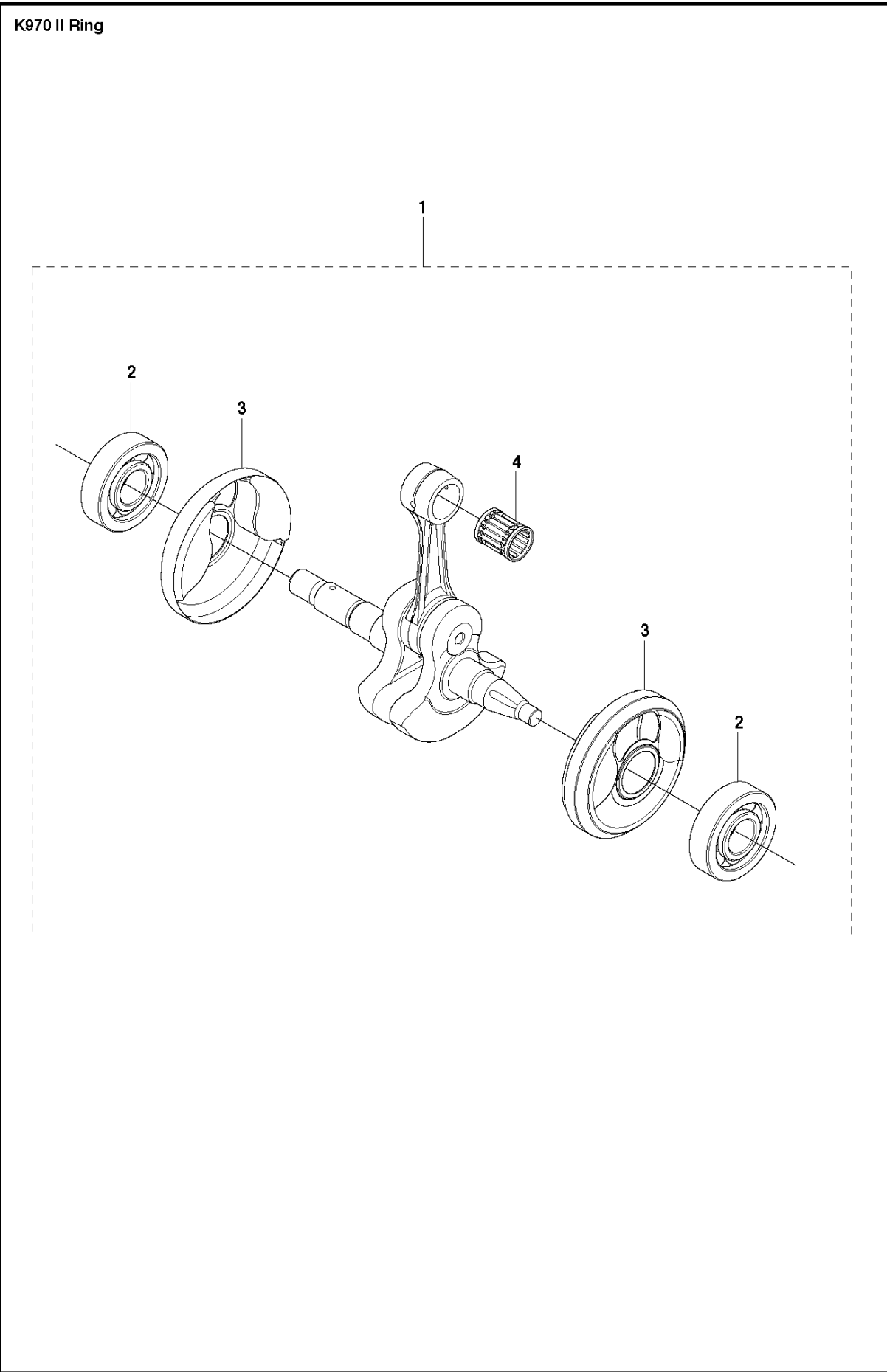
K970 II Ring



CRANKCASE

K970 II RING, 2015-03

Ref	Part No	Description	Remark	QTY KIT
1	588 05 86-01	CRANKCASE ASSY	Incl. 2 - 11, 14	1
2	503 21 53-49	SCREW ITXSCM		7
3	503 26 02-04	SEALING RING		2
4	503 21 53-56	SCREW ITXSCM		1
5	544 09 64-01	BELT GUIDE		1
6	544 09 77-01	BUSHING		1
7	501 27 08-01	GUIDE BUSHING		2
8	577 98 89-01	GASKET		1
9	522 85 61-01	RUBBER BUSHING		1
10	503 25 00-02	BALL BEARING		2
11	544 22 98-06	GASKET KIT	Incl. 3, 8, 12 - 13, 17-18	1
12	576 49 94-01	GASKET		1
13	506 37 81-01	GASKET		1
14	506 03 32-02	SCREW		2
15	506 34 91-01	BRACKET		1
16	505 57 41-01	SCREW ITXSCM		2
17	506 41 39-04	GASKET		1
18	579 34 00-01	GASKET		1



CRANKSHAFT

K970 II RING, 2015-03

Ref	Part No	Description	Remark	QTY KIT
1	574 26 76-01	CRANKSHAFT ASSY	Incl. 2 - 4	1
2	503 25 00-02	BALL BEARING		2
3	506 41 44-01	CUP		2
4	503 25 61-01	NEEDLE BEARING		1

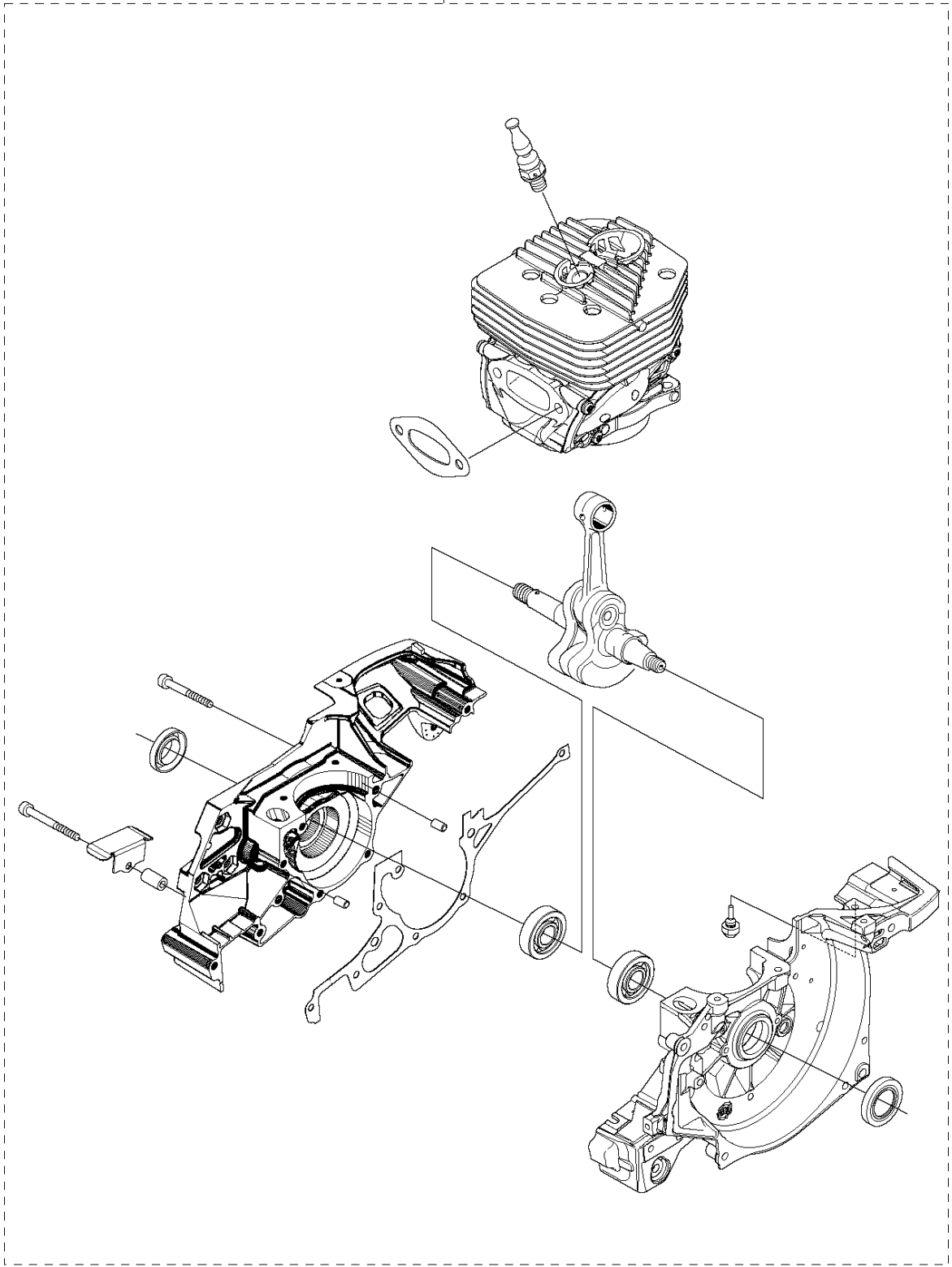
CYLINDER, PISTON & MUFFLER

K970 II RING, 2015-03

Ref	Part No	Description	Remark	QTY KIT
1	544 21 84-40	SCREW ITXSCM		6
2	586 35 10-01	CYLINDER ASSY	Incl. 9 - 10, 13	1
3	577 99 76-02	HEAT DEFLECTOR		1
4	506 37 81-01	GASKET		1
5	583 88 06-01	MUFFLER ASSY		1
6	503 21 53-25	SCREW ITXSCM		1
7	503 23 04-02	WASHER		1
8	584 91 22-01	DECOMPRESSION VALVE		1
9	579 34 00-01	GASKET	Paper gasket	1
10	506 41 32-02	PISTON	Incl. 11 - 12	1
11	503 28 90-35	PISTON RING		2
12	737 44 13-00	CIRCLIP		2
13	503 25 61-01	NEEDLE BEARING		1
15	544 22 98-06	GASKET KIT	Incl. 4, 9, 15 - 16	1
16	503 26 02-04	SEALING RING		2
17	506 41 39-04	GASKET		1
14	578 11 91-01	SLEEVE		1
18	577 98 89-01	GASKET		1
19	576 49 94-01	GASKET	Metal gasket	1

K970 II Ring

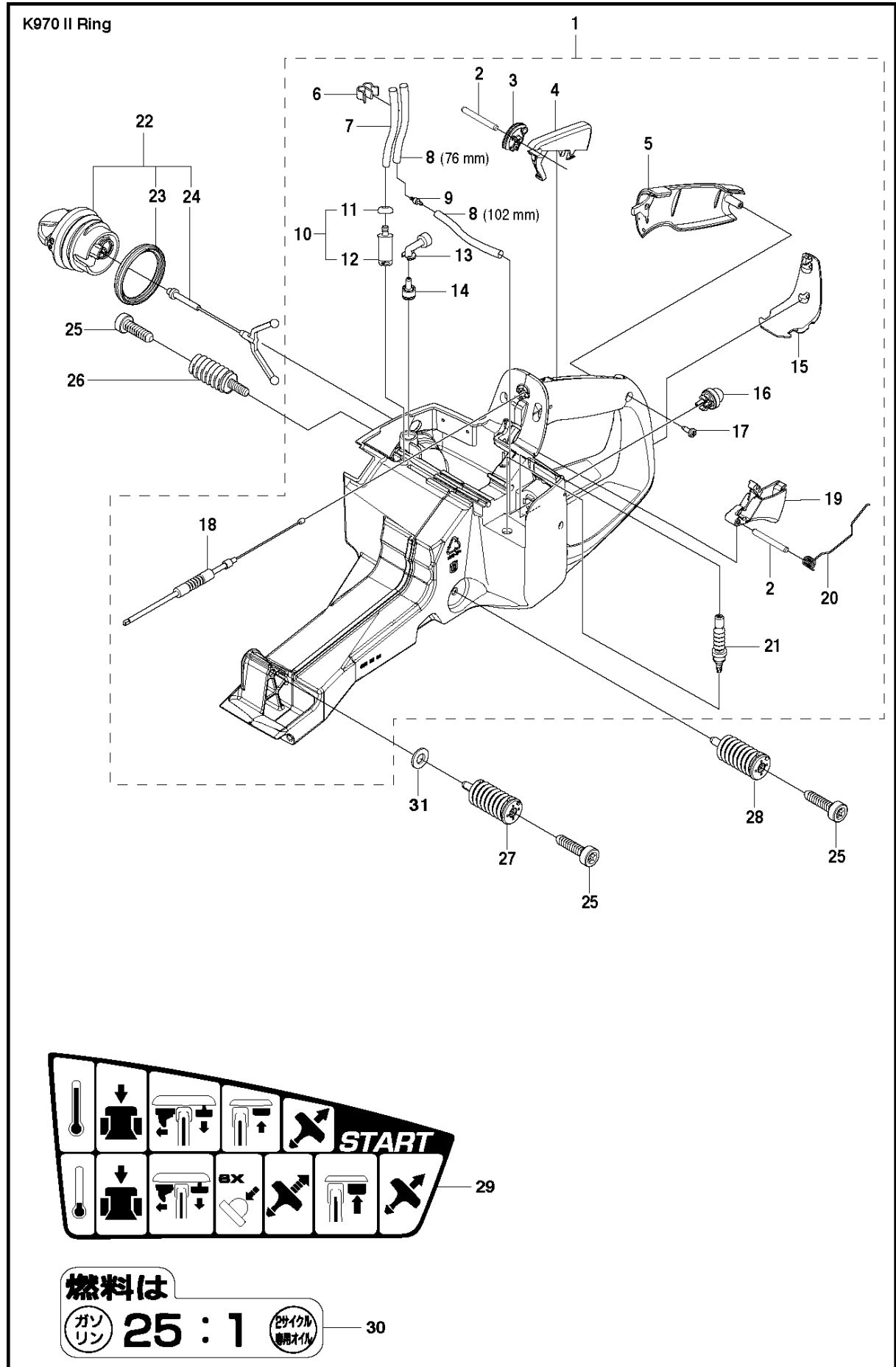
1



ENGINE

K970 II RING, 2015-03

Ref	Part No	Description	Remark	QTY KIT
1	588 48 74-01	ENGINE		1

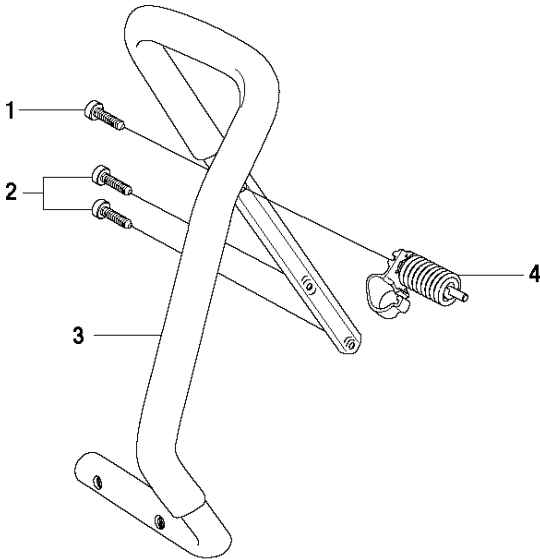


FUEL TANK

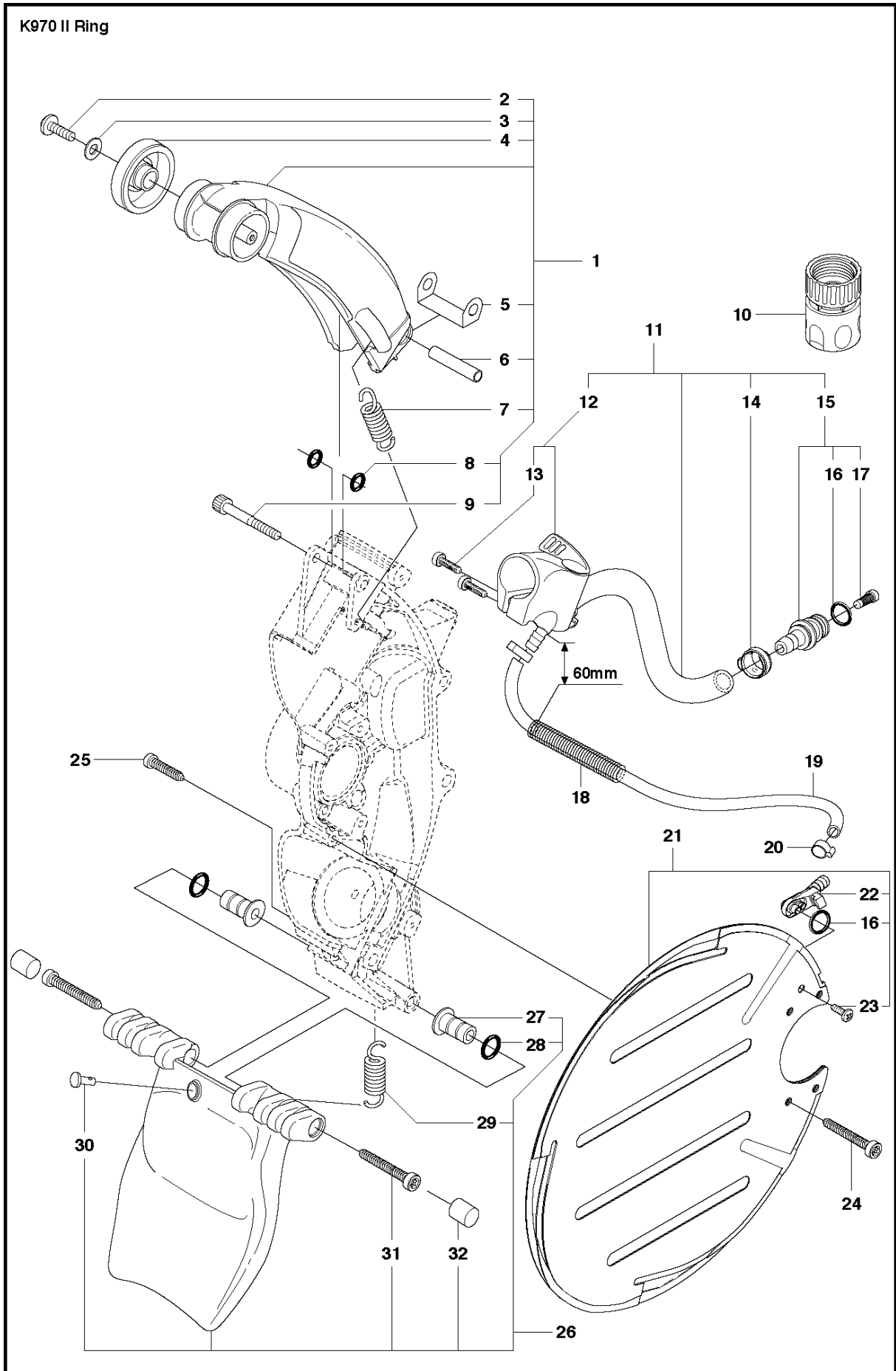
K970 II RING, 2015-03

Ref	Part No	Description	Remark	QTY	KIT
1	574 50 58-04	FUEL TANK ASSY		1	
2	720 12 40-20	PARALLEL PIN		2	1
3	537 20 85-01	CABLE LEVER		1	1
4	510 25 52-01	THROTTLE LOCKOUT		1	1
5	537 20 56-01	COVER		1	1
6	574 44 42-01	CLIP		1	1
7	581 75 62-02	FUEL HOSE		1	1
8	537 04 24-04	FUEL HOSE		1	1
9	575 52 65-01	CHECK VALVE		1	1
10	506 26 41-11	FUEL FILTER		1	1
11	506 27 11-01	HOSE CLAMP		1	1
12	506 26 41-01	FUEL FILTER		1	1
13	576 90 04-01	TANK VENT ASSY		1	1
14	537 35 95-01	TANK VENT ASSY		1	1
15	502 47 16-01	GROUND SUPPORT		1	1
16	540 05 49-02	AIR PURGE		1	1
17	525 88 74-02	SCREW CITXPANT		1	1
18	576 49 04-01	THROTTLE CABLE ASSY		1	1
19	502 47 18-01	THROTTLE CONTROL		1	1
20	537 20 98-01	SPRING		1	1
21	576 13 99-01	FUEL HOSE		1	1
22	522 62 00-01	TANK CAP ASSY		1	
23	506 29 21-01	GASKET		1	
24	503 57 89-01	HOLDER		1	
25	544 06 12-01	SCREW ITXSCM		3	
26	537 21 03-09	ANTIVIBRATION ELEMENT		1	
27	537 21 03-10	ANTIVIBRATION ELEMENT		1	
28	537 21 03-05	ANTIVIBRATION ELEMENT		1	
29	525 57 20-02	DECAL		1	
30	506 31 30-01	LABEL		1	
31	503 23 00-80	WASHER		1	

K970 II Ring



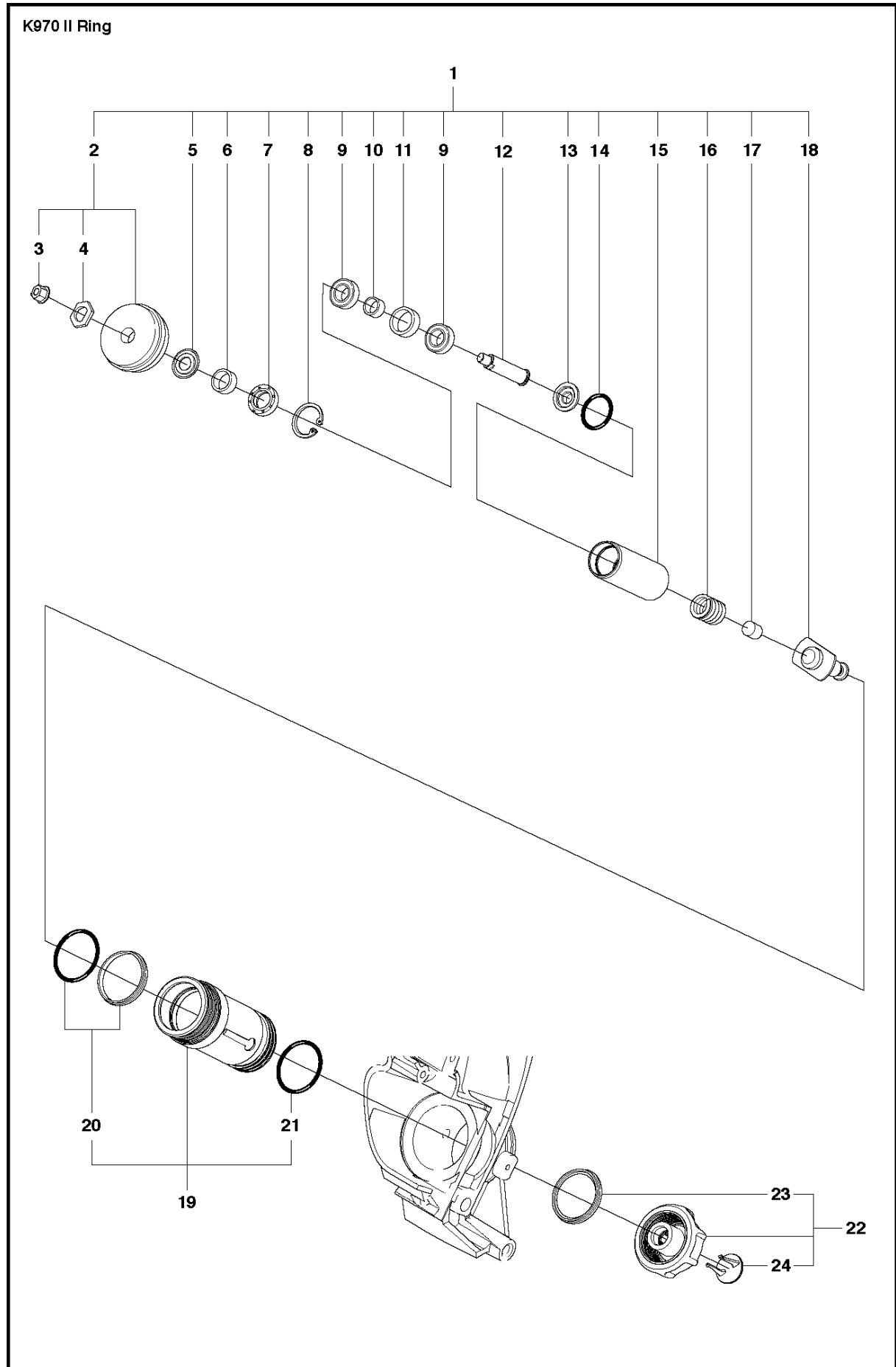
Ref	Part No	Description	Remark	QTY KIT
1	544 06 12-01	SCREW ITXSCM		1
2	503 21 54-20	SCREW ITXSCT		2
3	523 02 75-01	HANDLE		1
4	505 42 45-02	ANTIVIBRATION ELEMENT		1



GUARDS

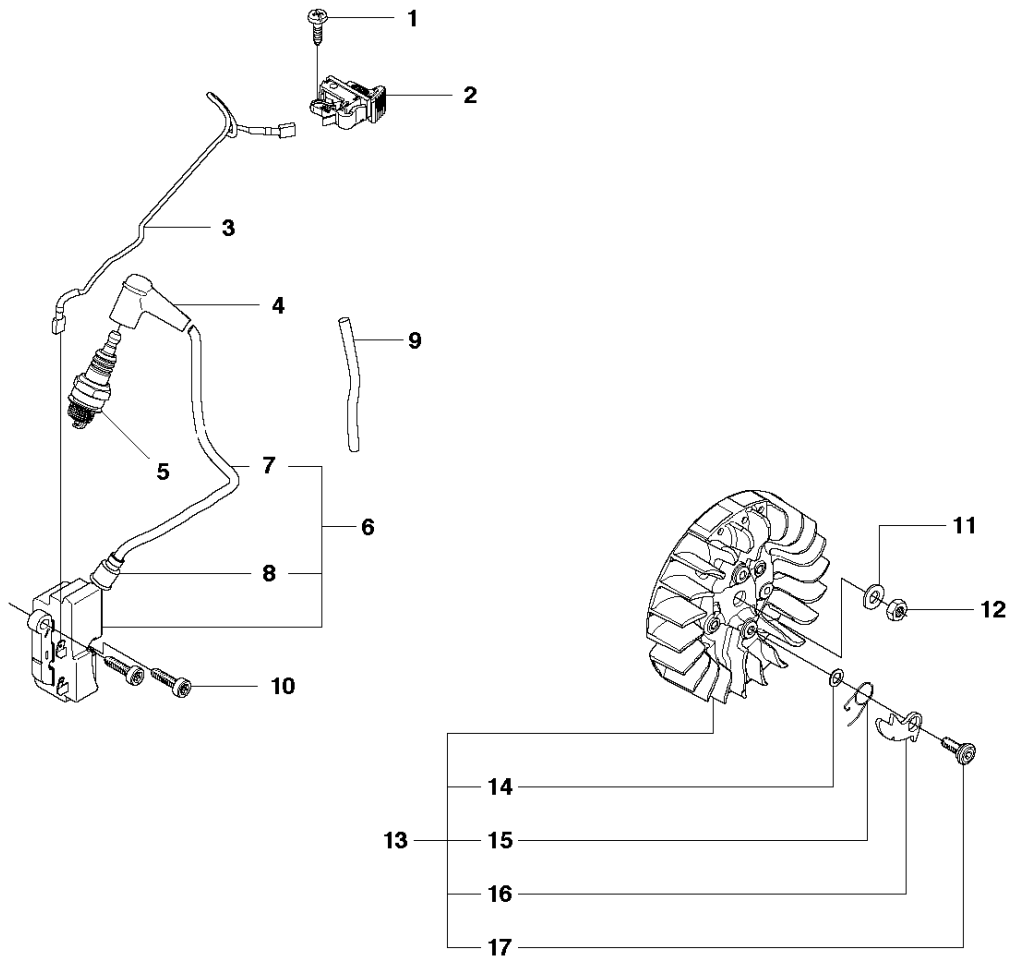
K970 II RING, 2015-03

Ref	Part No	Description	Remark	QTY KIT
1	506 24 69-06	BLADE GUARD	Incl. 2 - 9	1
2	503 21 46-01	SCREW		2
3	734 48 80-01	WASHER		2
4	506 26 22-02	WHEEL		2
5	506 31 28-01	COVER PLATE		1
6	506 31 45-01	SPACING TUBE		1
7	504 11 67-01	SPRING		1
8	503 26 30-25	O-RING		2
9	544 21 84-47	SCREW ITXSCM		1
10	503 26 60-03	COUPLER		1
11	506 38 59-04	HOSE ASSY	Incl. 12, 14 - 15	1
12	506 38 60-12	VALVE ASSY	Incl 13	1
13	503 21 54-20	SCREW ITXSCT		2
14	506 09 56-06	HOSE CLAMP		2
15	506 29 57-02	NIPPLE	Incl. 16, 17	1
16	503 26 30-21	O-RING		2
17	506 29 88-01	FILTER		1
18	506 35 27-01	PROTECTIVE SPRING		1
19	581 89 35-09	HOSE	220 mm	1
20	506 09 56-03	HOSE CLAMP		2
21	506 38 33-01	WATER BLADE	Incl. 16, 22, 23	1
22	506 38 29-01	NIPPLE		1
23	729 52 89-71	SCREW CRPANT		1
24	505 57 41-01	SCREW ITXSCM		4
25	503 21 53-20	SCREW ITXSCM		1
26	506 35 22-05	SPRAY GUARD ASSY	Incl. 27 - 32	1
27	506 33 49-02	SPACING TUBE		2
28	740 42 05-00	O-RING		2
29	506 33 95-01	DRAW SPRING		1
30	506 33 96-01	BOLT		1
31	544 21 84-37	SCREW ITXSCM		2
32	506 34 90-01	SEALING		2



Ref	Part No	Description	Remark	QTY KIT
1	506 49 34-01	BEARING CAGE	Incl. 2, 5 - 18	2
2	506 35 20-05	GUIDE ROLLER	Incl. 3, 4	1
3	503 22 04-01	NUT		1
4	506 30 34-01	DRIVER		1
5	506 31 69-01	DUST COVER		1
6	506 37 93-02	SPACING SLEEVE		1
7	503 26 20-01	SEALING RING		1
8	735 31 28-10	CIRCLIP		1
9	503 25 24-01	BALL BEARING		2
10	506 30 33-01	SPACING SLEEVE		1
11	506 31 68-01	SPACING SLEEVE		1
12	506 49 32-01	SHAFT		1
13	506 38 11-01	HUB CAP		1
14	740 48 20-12	O-RING		1
15	506 38 09-01	BEARING CAGE		1
16	506 34 76-01	COMPRESSION SPRING		1
17	506 30 35-01	BUMPER		1
18	506 38 97-01	PEN		1
19	544 07 76-01	SLEEVE	Incl. 20, 21	2
20	506 34 39-01	WIRE		1
21	740 48 25-02	O-RING		1
22	506 38 22-02	KNOB	Incl. 23	1
23	506 33 65-01	SEALING RING		1
24	506 38 21-02	HUB CAP		1

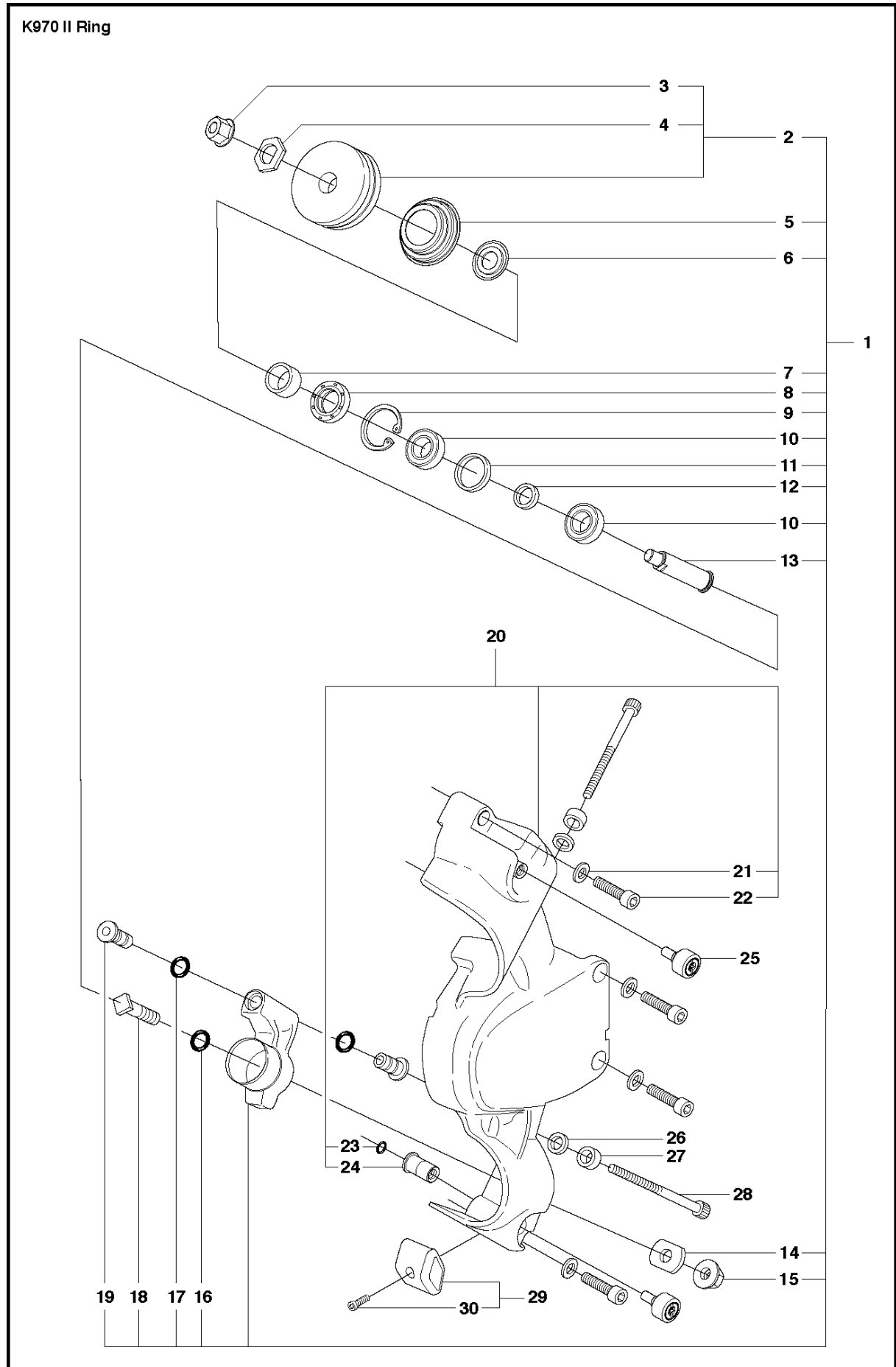
K970 II Ring



IGNITION SYSTEM

K970 II RING, 2015-03

Ref	Part No	Description	Remark	QTY KIT
1	503 21 28-06	SCREW CCRPANT		1
2	506 31 86-03	STOP SWITCH		1
3	501 83 98-01	CABLE		1
4	501 48 54-02	SPARK PLUG CAP		1
5	503 23 51-09	SPARK PLUG	RCJ 6Y	1
6	510 11 56-05	IGNITION MODULE	Incl. 7 - 8	1
7	506 38 78-34	IGNITION CABLE		1
8	505 27 75-16	ISOLERHATT		1
9	576 85 16-02	PROTECTIVE HOSE		1
10	503 21 53-20	SCREW ITXSCM		2
11	503 23 01-01	WASHER		1
12	503 22 10-11	HEXAGON NUT		1
13	501 37 56-04	FLYWHEEL	Incl. 14 - 17	1
14	503 23 00-42	WASHER		2
15	501 63 48-01	SPRING		2
16	501 67 32-03	PAWL		2
17	506 00 69-01	SCREW		2

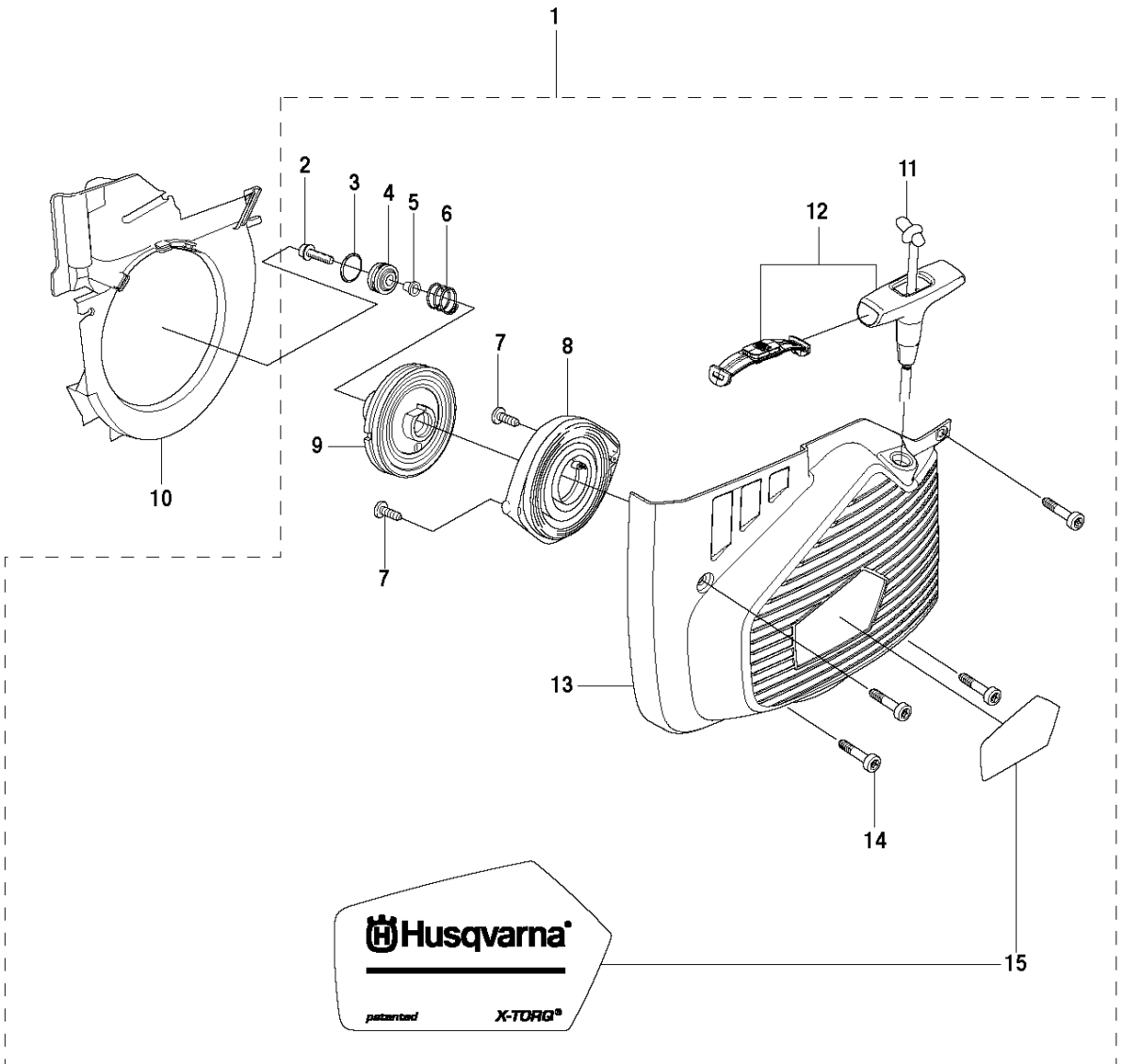


LEVEL ASSY

K970 II RING, 2015-03

Ref	Part No	Description	Remark	QTY KIT
1	506 35 18-07	LEVER ASSY	Incl. 2, 5 - 18	2
2	506 35 21-03	SUPPORT ROLLER	Incl. 3, 4	1
3	503 22 04-01	NUT	Fine thread	1
4	506 30 34-01	DRIVER		1
5	506 39 95-01	SEALING		1
6	506 32 17-01	WASHER		1
7	506 37 93-02	SPACING SLEEVE		1
8	503 26 20-01	SEALING RING		1
9	735 31 28-10	CIRCLIP		1
10	503 25 24-01	BALL BEARING		2
11	506 31 68-02	SPACING SLEEVE		1
12	506 30 33-02	SPACING SLEEVE		1
13	506 49 32-02	SHAFT		1
14	506 34 63-01	WASHER		1
15	503 22 00-01	HEXAGON NUT		1
16	503 26 30-08	O-RING		1
17	503 26 30-26	O-RING		2
18	506 34 64-01	SCREW		1
19	506 33 49-03	SPACING TUBE		2
20	506 49 33-03	COVER	Incl. 21 - 24	1
21	503 23 04-03	WASHER		4
22	503 20 54-35	SCREW IHSCMO		4
23	740 42 04-00	O-RING		2
24	506 33 08-01	THREAD BUSHING		2
25	505 57 49-01	ADJUSTMENT WHEEL		2
26	506 37 63-01	SPACER		2
27	506 37 64-01	RUBBER BUSHING		2
28	725 53 81-56	SCREW IHSCM		2
29	506 35 19-03	WEAR PROTECTION	Incl. 29	1
30	505 57 41-01	SCREW ITXSCM		1

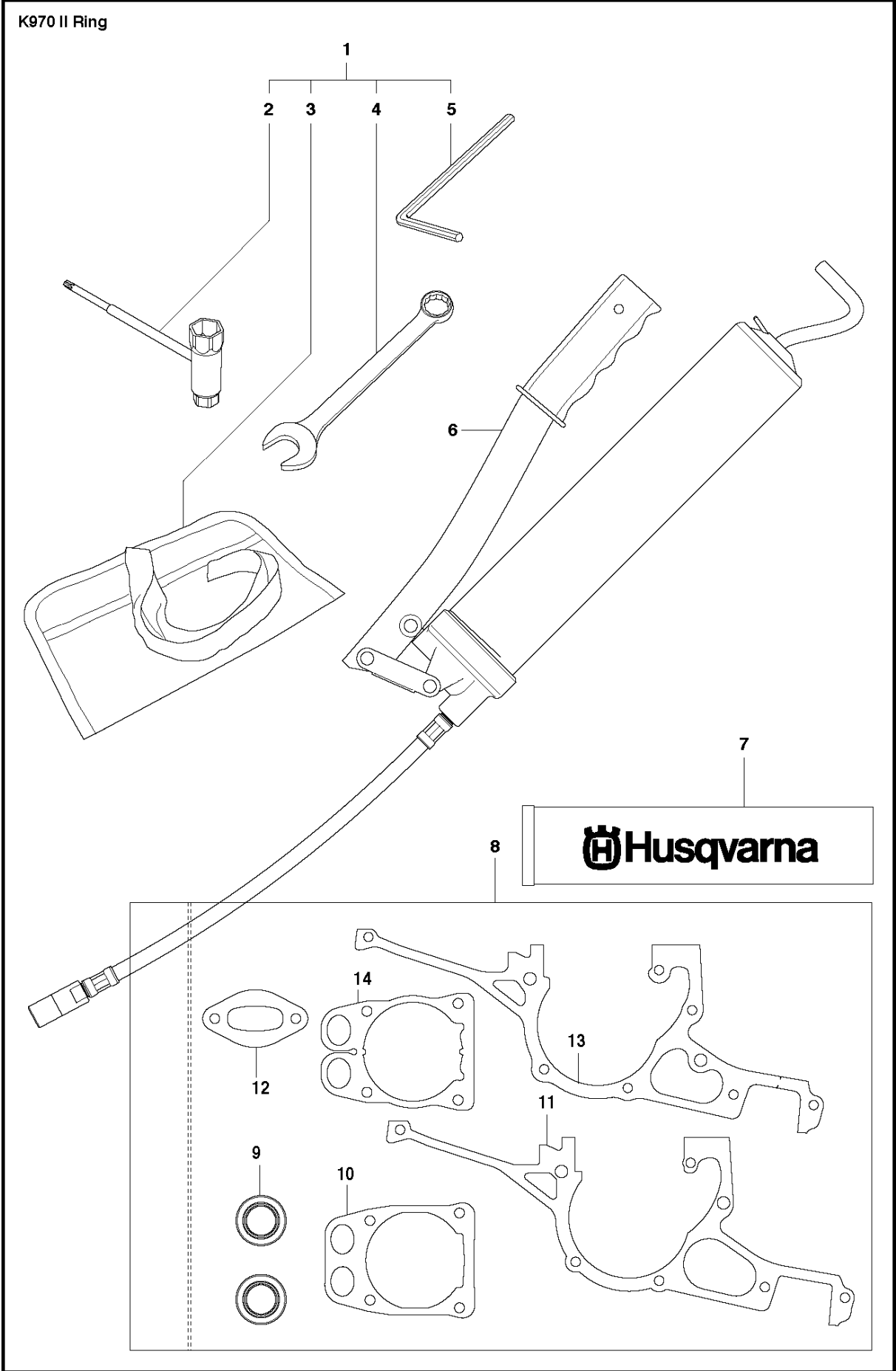
K970 II Ring



STARTER

K970 II RING, 2015-03

Ref	Part No	Description	Remark	QTY KIT
1	574 50 73-08	STARTER ASSY	Incl. 2 - 9, 11 - 15	1
2	503 21 07-22	SCREW IH SCT		1
3	740 43 13-00	O-RING		1
4	506 25 14-01	GROMMET		1
5	506 26 31-01	SPACING SLEEVE		1
6	506 25 30-01	COMPRESSION SPRING		1
7	525 88 74-02	SCREW CITXPANT		2
8	506 25 89-01	RECOIL SPRING		1
9	506 25 81-02	STARTER PULLEY		1
10	544 28 75-02	AIR CONDUCTOR		1
11	506 33 56-15	STARTER CORD		1
11	506 33 56-50	STARTER CORD	50 m Coil	1
12	584 25 79-02	STARTER HANDLE ASSY		1
13	505 34 94-02	STARTER COVER		1
14	501 98 10-20	SCREW ITXSCM		4
15	525 57 11-01	DECAL		1



TOOLS

K970 II RING, 2015-03

Ref	Part No	Description	Remark	QTY KIT
1	506 36 38-04	TOOL	Incl. 2 - 5	1
8	544 22 98-06	GASKET KIT	Incl. 9 - 14	1
2	506 38 26-01	TOOL		1
3	501 19 22-01	TOOL CASING		1
4	506 35 52-01	SPANNER	19mm	1
5	506 36 36-01	HEX KEY	Allenkey 6mm	1
6	506 38 49-02	LUBRICATION GUN		1
7	544 08 04-02	GREASE		1
9	503 26 02-04	SEALING RING		2
10	576 49 94-01	GASKET		1
11	506 41 39-04	GASKET		1
12	506 37 81-01	GASKET		1
13	577 98 89-01	GASKET		1
14	579 34 00-01	GASKET		1