

VPR 700

Professional compaction of slabs and paving stones

There is an increasing popularity of using large-size slabs and pavers for Hardscape Projects. Weber MT has now come up with the perfect solution for compacting these materials in a gentle and efficient manner: The VPR 700 paver roller.

This machine has been designed specifically for the challenging task of compacting slabs and pavers. The VPR 700 rolls over these surfaces with exceptional ease and gentleness. This smooth mode of operation embeds the product properly, while preventing shifting, cracking and chipping.

The rollers allow the machine to press delicate concrete slabs with relatively low thickness gently into their bedding. The machine is just as effective when it comes to vibrating the sealing sand into the joints.

The industry's foremost manufacturers of large-size slabs and paving stone recommend the use of paver rollers such as Weber MT's VPR 700.



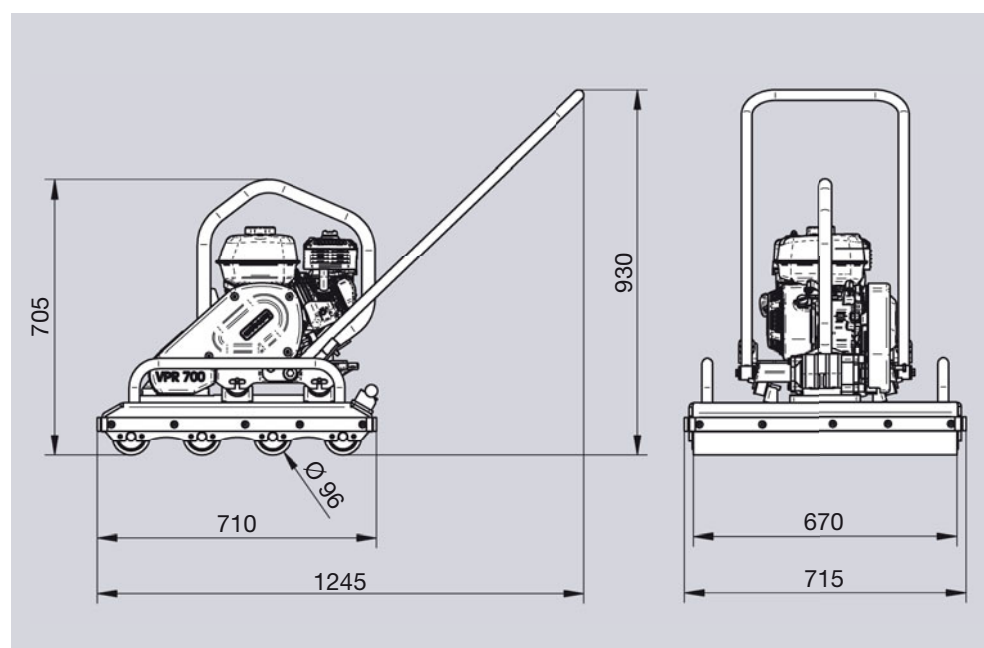
Advantages of the VPR 700

- ▶ Ideal for compacting large-size slabs and paving stones
- ▶ Allows for exceptionally gentle compacting
- ▶ Efficient operation even in cramped spaces
- ▶ Optimal weight distribution across PU rollers

Technical data

Typ		VPR 700
Operating weight CECE	kg (lbs)	175 (386)
Centrifugal force	kN (lbs)	14 (3150)
Frequency	Hz (r.p.m.)	100 (6000)
Operating width	mm (in.)	670 (26.4)
Engine manufacturer		Honda GX 160
Engine type		4-stroke Gasoline
Engine power output, max.	kW (HP)	3.6 (4.9)
Power output at operating speed	kW (HP)	2.8 (3.8) at 3,200 r.p.m.
Working speed	m/min. (ft/min.)	Machine is advanced by the operator

We reserve the right to alter specifications.



VPR 700

Dimensions in mm.