



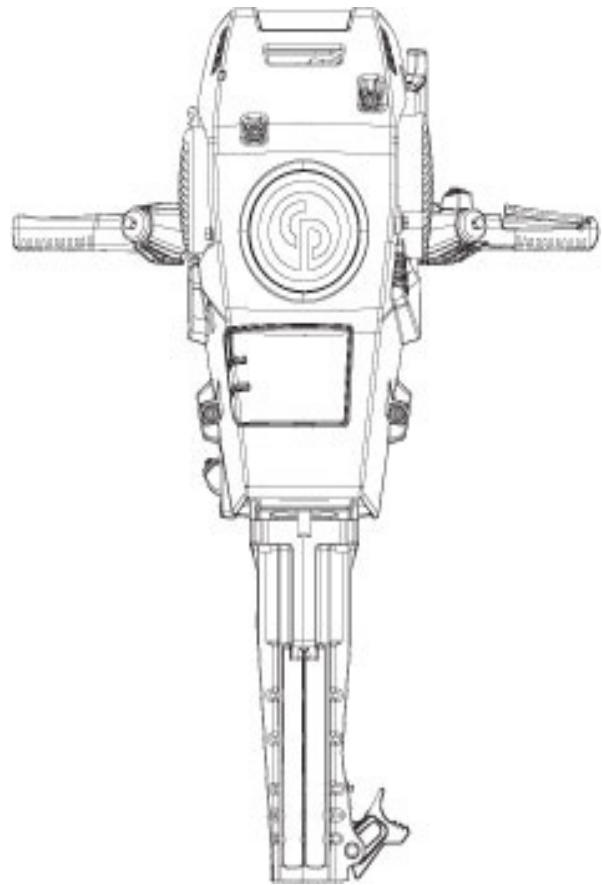
Chicago  
Pneumatic

## Spare parts list

Petrol Breakers

CP Road

	Valid from serial number	Valid to serial number
	BES045282	BES999999



## General information

This spare parts list applies to the following:

Part number	Description
8318090021	CP Road 32X160
8318090023	CP Road 32X152
8318090025	CP Road 28X160
8318090027	CP Road 28X152
8318090029	CP Road 25X108
8318090061	CP Road 25X108

Use only authorized parts. Any damage or malfunction caused by the use of unauthorized parts is not covered by Warranty or Product Liability. Any unauthorized use or copying of the contents or any part thereof is prohibited. This applies in particular to trademarks, model denominations, part numbers, and drawings.

### Instructions for use

This spare parts list contains no safety regulations and is merely intended to assist in the ordering of spare parts.

For information about operating, servicing, or repairing, the relevant Safety and operating instructions must be consulted at all costs.

Please observe the safety instructions listed in the relevant Safety and operating instructions!

Contents

**Service, Repair and Wear part kits**

Service kit ..... 1  
Seal kit ..... 3  
Carburettor repair kit ..... 5

**Mechanical**

Body ..... 7  
Motor ..... 13  
Percussion unit ..... 19  
Fuel tank ..... 25  
Handle assembly ..... 27  
Tightening torque ..... 29

**Options/ Accessories**

Working tools 25 x 108 mm ..... 31  
Working tools 25X108 mm US (Flat to flat) ..... 33  
Working Tools 28 X 152 ..... 35  
Working Tools 32 X 152 ..... 37  
Working tools 28 x 160 mm ..... 39  
Working tools 32 x 160 mm ..... 41  
Accessories ..... 44  
Dimensions ..... 47

**Service, Repair and Wear part kits** Service kit

NO EXPLODED VIEW  
AVAILABLE  
FOR THIS BOM

Item	Part No.	Name	Qty	L
1	9234000687	One month service kit	1	
2	9234000448	Spark plug	1	
3	9234000136	Air filter	1	
4	9234000688	Three months service kit	1	
5	9234000687	One month service kit	1	
6	9234000554	Scraper ring, complete	1	
7	9234000128	Gasket	1	
8	9234000689	Six months service kit	1	
9	9234000688	Three months service kit	1	
10	9234000228	O-ring	2	
11	9234000229	O-ring	1	
12	9234000230	O-ring	1	
13	9232230600	Filter	1	
14	9234000271	Piston ring, complete	2	
15	9234000127	Gasket	1	
16	9234000137	Gasket	1	
17	9234000335	Plastic bushing	2	
18	9234000575	Plastic bushing	3	
19	9234000413	Gasket	1	
20	9234000267	Gasket	1	
21	9234000690	Twelve months service kit	1	
22	9234000689	Six months service kit	1	
23	9234000318	Bearing and seal, complete	1	
24	9234000007	Piston ring	2	
25	9234000126	Gasket	1	
26	9234001106	Air filter kit	1	
27	9234000136	Air filter	10	
27	923400136	Air filter	10	

**Service, Repair and Wear part kits** Seal kit

NO EXPLODED VIEW  
AVAILABLE  
FOR THIS BOM

Item	Part No.	Name	Qty	L
1	9234000691	Complete seal kit	1	A
2	9234000137	Gasket	1	
3	9234000413	Gasket	1	
4	9234000267	Gasket	1	
5	9234000126	Gasket	1	A
6	9234000606	Seal	2	
7	9234000074	Seal	1	
8	9234000414	Gasket, crankcase	1	
9	9234000415	Gasket, transmission	1	
10	9234000517	Seal, 32 mm, 1-1/4 in.	1	
11	9234000524	Seal, 28 mm, 1-1/8 in.	1	
12	9234003098	Seal, 25 mm, 1 in.	1	
13	9234000554	Scraper ring, complete	1	
14	-	Speed seal		
15	-	O-ring		
16	-	Lock ring		
17	-	Scraper ring		
18	-	Support ring		
19	9234000228	O-ring	2	
20	9234000229	O-ring	1	
21	9234000230	O-ring	1	
22	9234000271	Piston ring, complete	2	B
23	-	Piston ring		
24	-	O-ring		
25	9234000128	Gasket	1	
26	9232031090	O-ring	1	
27	9234000127	Gasket	1	

Comments for Page: Seal kit

A | Includes all seals for an overhaul.

B | There are two "Piston ring, complete" on the machine.

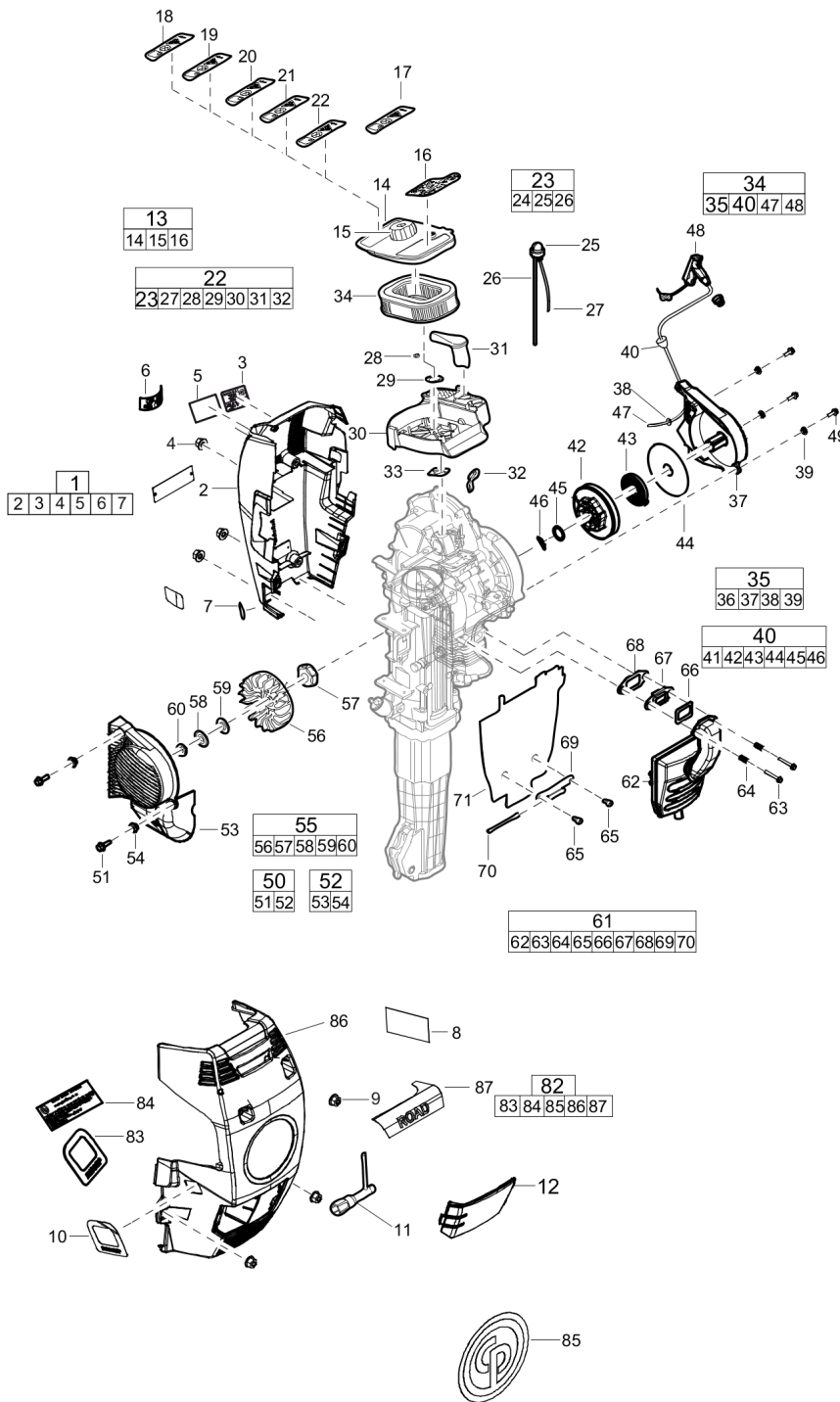
**Service, Repair and Wear part kits** Carburettor repair kit

NO EXPLODED VIEW  
AVAILABLE  
FOR THIS BOM



Item	Part No.	Name	Qty	L
1	9234000912	Carburettor repair kit	1	
2	-	Washer M8 ISO 7089	1	
3	-	Washer M8 ISO 7089	1	
4	-	Diaphragm	1	
5	-	Diaphragm	1	

**Mechanical Body**



Refer to Parts Online for the most up to date information. The printed information might be outdated.  
 Fri Aug 21 01:53:59 MDT 2015

Item	Part No.	Name	Qty	L
1	9234021035	Back cover, complete	1	
2	-	Back cover	1	
3	9234000923	Label, Warning	1	
4	9232020750	Flange nut	4	
5	8915002524	Label, sound level	1	
6	9234020869	Oil mix label	1	
7	9234000354	Label, Oil level	1	
8	-	Label	2	
9	9232020750	Flange nut	4	
10	9234000345	Label "Decompression valve"	1	
11	9234000056	Spark plug key	1	
12	9234018500	Service cover, complete	1	
13	9234021038	Filter cover, complete	1	
14	-	Filter cover	1	
15	-	Filter cover knob	1	
16	-	Label "Start instruction"	1	
17	9234020864	Warning Label	1	
18	-	Label, Warning (32 x 160 mm, 1 1/4 x 6 1/4 in.)	1	
19	-	Label, Warning (32 x 152 mm, 1 1/4 x 6 in.)	1	
20	-	Label, Warning (28 x 160mm, 1 1/8 x 6 1/4 in.)	1	
21	-	Label, Warning (28 x 152 mm, 1 1/8 x 6 in.)	1	
22	-	Label, Warning (25 x 108 mm, 1 x 4 1/4 in.)	1	
23	9234000265	Filter housing, complete	1	
24	9234000512	Prime pump, complete	1	
25	-	Prime pump	1	
26	9234000297	Pipe	1	A
27	9234000298	Pipe	1	B
28	9232020880	Nut, M5	2	
29	9234000063	Plate	1	
30	-	Filter housing	1	
31	9234000026	Choke handle	1	
32	9234001030	Choke arm	1	
33	9234000137	Gasket	1	
34	9234000136	Air filter	1	
35	9234000114	Starter, complete	1	
36	9234000033	Starter cover, complete	1	
37	-	Starter cover	1	

Refer to Parts Online for the most up to date information. The printed information might be outdated.

Fri Aug 21 01:53:59 MDT 2015

This page intentionally left blank

Item	Part No.	Name	Qty	L
38	9232050350	Locking ring	3	
39	9232090520	Bushing	3	
40	9232090530	Rope guide	1	
41	9234000115	Pulley wheel, complete	1	
42	-	Pulley wheel	1	
43	9234000491	Starting spring	1	
44	9234000040	Fiber washer	1	
45	9234000041	Washer	1	
46	9234000054	Locking spring	1	
47	9234000059	Rope	1	
53	-	Fan cover	1	
48	9234000045	Handle	1	
49	9232011530	Screw, M6SF 6 x 20 mm	1	
50	9234000201	Fan cover, complete	1	
51	9232011530	Screw, M6SF 6 x 20 mm	2	
52	9234000078	Fan cover	1	
54	9232090520	Bushing	2	
55	9234000081	Fan, complete	1	
56	-	Fan	1	
57	9234000084	Hub	1	
58	0384331000	Cup spring	1	
59	9234000085	Washer	1	
60	9232020900	Nut	1	
61	9234020900	Silencer, complete	1	
62	-	Silencer	1	
63	9232012200	Screw, M6SF 6 x 45 mm	2	
64	9234000486	Spring	2	
65	9232012400	Screw, M6S 6 x 12 mm	2	
66	9234000413	Gasket	1	
67	9234000402	Silencer insert	1	
68	9234000267	Gasket	1	
69	9234000674	Hinge	1	
70	9234000410	Hinge pin, FRP Ø5 x 100 mm, Ø0.20 x 3.94 in.	1	
71	9234184000	Heat shield	1	
82	9234021036	Front cover, complete	1	
83	9234020874	Decomp label	1	
84	9234011000	EPA Label	1	

Refer to Parts Online for the most up to date information. The printed information might be outdated.

Fri Aug 21 01:53:59 MDT 2015

This page intentionally left blank

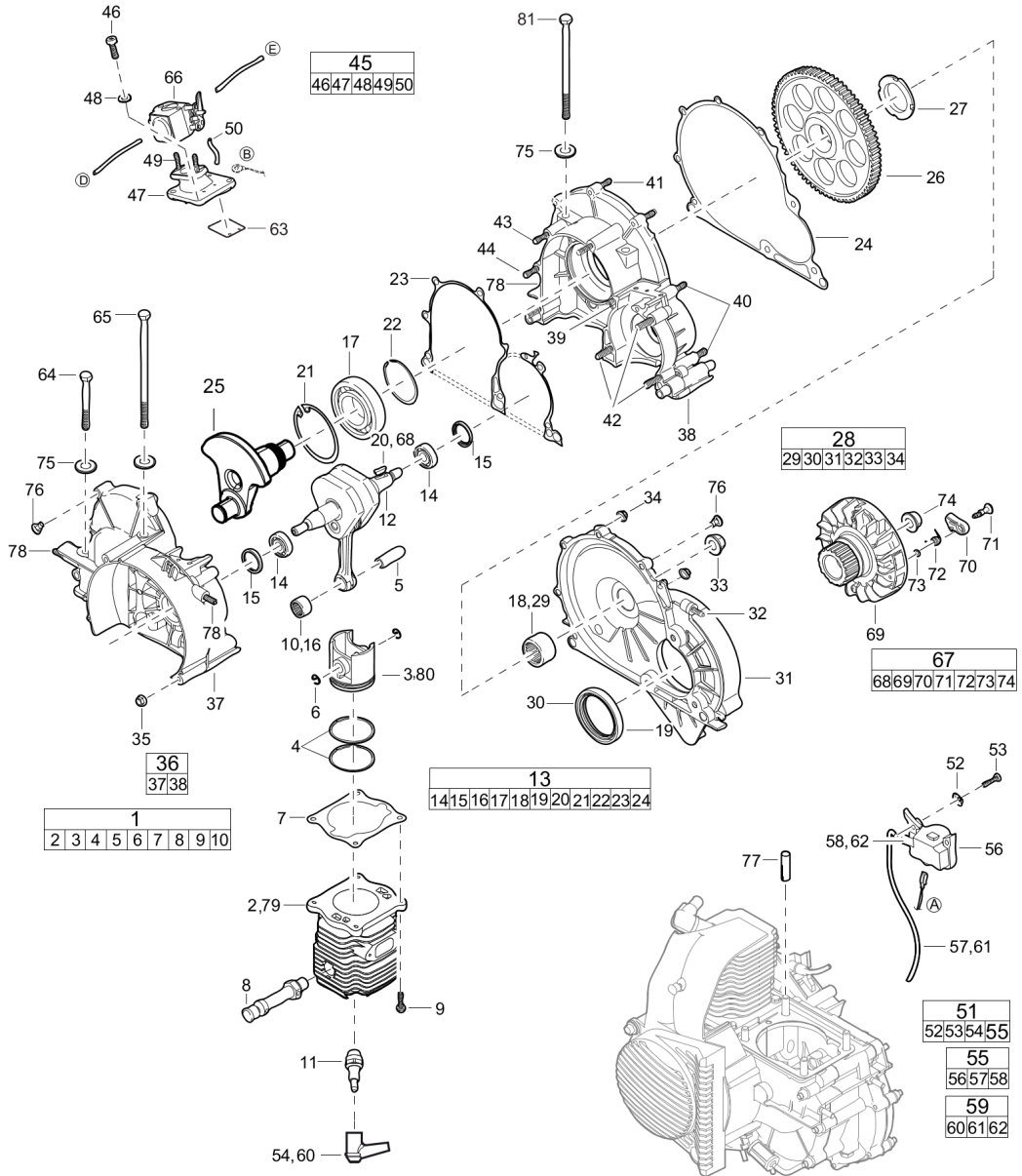
Item	Part No.	Name	Qty	L
85	9234018600	CP Logo	1	
86	-	Front cover	1	
87	9234018701	Road logo	2	

Comments for Page: Body

A | Tank connection (E), see section "Motor" for placement., L = 340 mm, L = 13.4 in.

B | Carburettor connection (C), see section "Motor" for placement., L = 375 mm, L = 14.8 in.

**Mechanical Motor**



Refer to Parts Online for the most up to date information. The printed information might be outdated.

Fri Aug 21 01:54:14 MDT 2015



Item	Part No.	Name	Qty	L
1	9234000106	Motor cylinder, complete	1	
2	-	Cylinder	1	
3	-	Piston	1	
4	9234000007	Piston ring	2	
5	9234000008	Piston pin	1	
6	9234000009	Lock ring	2	
7	9234000126	Gasket	1	
8	9234000340	De-compression valve	1	
9	9232011880	Screw, M5 x 20 mm	4	
10	9234000341	Needle bearing	1	
11	9234000448	Spark plug	1	A
12	9234000038	Motor crankshaft	1	
13	9234000318	Bearing and seal, complete	1	
14	-	Ball bearing	2	
15	9234000606	Seal	2	
16	9234000341	Needle bearing	1	
17	-	Ball bearing	1	
18	9234000396	Needle bushing	1	
19	9234000074	Seal	1	
20	9232222840	Woodruff key	1	
21	9234000072	Lock ring	1	
22	9234000075	Lock ring	1	
23	9234000414	Gasket, crankcase	1	B
24	9234000415	Gasket, transmission	1	C
25	9234018550	Transmission shaft	1	
26	9234000279	Transmission cog wheel	1	
27	9234000076	Nut	1	D
28	9234000320	Transmission cover, complete	1	
29	9234000396	Needle bushing	1	
30	9234000074	Seal	1	
31	-	Transmission cover	1	
32	9234000423	Stud, M6 x 18 mm, L = 28 mm	1	
33	9234003060	Oil level plug, R1/4 in.	1	
34	9232020750	Flange nut	8	
35	9232020750	Flange nut	4	
36	9234021039	Crankcase, complete	1	
37	-	Crankcase	1	E

Refer to Parts Online for the most up to date information. The printed information might be outdated.

Fri Aug 21 01:54:14 MDT 2015

This page intentionally left blank

Item	Part No.	Name	Qty	L
38	-	Crankcase	1	F
39	9234000158	Stud, M6 x 70 mm, L = 85 mm	1	
40	9234000071	Stud, M6 x 20 mm, L = 32 mm	3	
41	9234000157	Stud, M6 x 25 mm, L = 40 mm	3	
42	9234000069	Stud, M6 x 50 mm, L = 65 mm	4	
43	9234000067	Stud, M6 x 30 mm, L = 45 mm	4	
44	9234000068	Stud, M6 x 35 mm, L = 50 mm	1	
45	9234001548	Crankcase valve, complete	1	
46	9232011880	Screw, M5 x 20 mm	4	
47	-	Crankcase valve, Including reed (No. 63)	1	
48	0301231800	Flat washer	1	
49	9234000180	Stud	2	H
50	9234000324	Pipe, L = 36 mm, L = 1.4 in.	1	
51	9234000281	Electronic unit, complete(Cobra TTe)	1	
52	9234000205	Protective washer	1	
53	9232012000	Screw	3	
54	-	Spark plug cap	1	
55	-	Electronic unit, complete	1	
56	-	Electronic unit	1	
57	-	Ignition cable	1	
58	-	Grommet	1	
59	9234000601	Spark plug cable, complete	1	
60	-	Spark plug cap	1	
61	-	Ignition cable	1	
62	-	Grommet	1	
63	9234000164	Reed	1	
64	0147133503	Hex. head screw	1	
65	0147134503	Hex head screw	1	
66	9234020946	Carburettor	1	G
67	9234000304	Flywheel, complete	1	
68	9232222840	Woodruff key	1	
69	-	Flywheel	1	
70	9234000032	Carrier	2	
71	9234000154	Screw	2	
72	9234000155	Carrier spring	2	
73	9234000200	Support washer	2	
74	9232020900	Nut	1	

Refer to Parts Online for the most up to date information. The printed information might be outdated.

Fri Aug 21 01:54:14 MDT 2015

This page intentionally left blank

Item	Part No.	Name	Qty	L
75	0300027474	Plain washer	4	
76	9232090520	Bushing	2	
77	9234000575	Plastic bushing	3	
78	9234000423	Stud, M6 x 18 mm, L = 28 mm	3	
79	9234001419	Cylinder	1	
80	9234001420	Piston	1	
81	0147134703	Hex. Head screw	2	

Comments for Page: Motor

(L)OCAL REMARKS

A | Champion RCJ8

B | Crankcase

C | Transmission cover

D | KML - 6 left

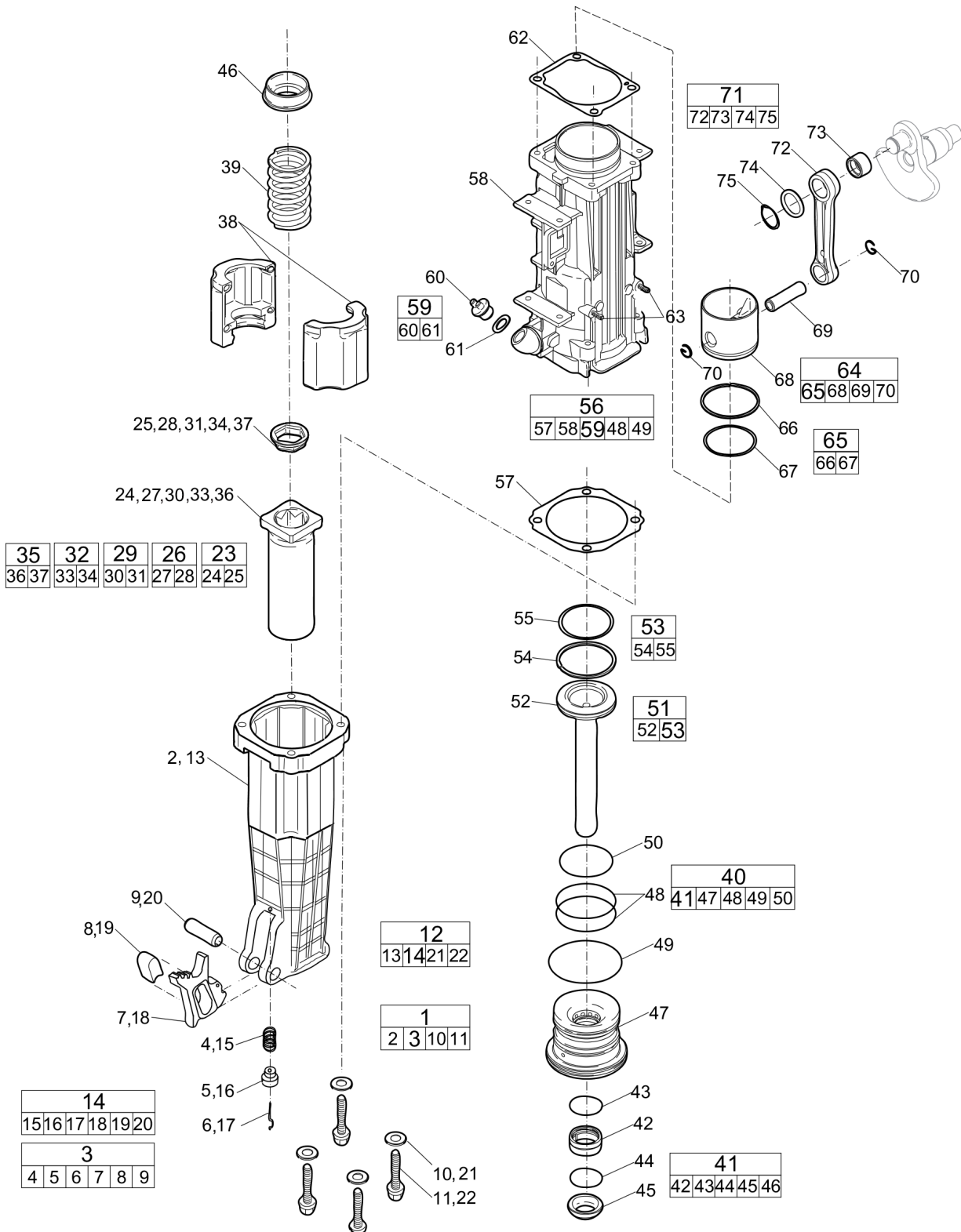
E | Fan side

F | Transmission side

G | In U.S: Only to be replaced and adjusted by authorized Atlas Copco service centers, due to EPA regulations.

H | Use LOCTITE®243™ on the thread towards the reed valve. LOCTITE is a registered trademark of Henkel Corporation. 243 is a trademark of Henkel Corporation.

**Mechanical** Percussion unit



Refer to Parts Online for the most up to date information. The printed information might be outdated.

Fri Aug 21 01:54:26 MDT 2015

Item	Part No.	Name	Qty	L
1	9234020947	Breaker housing, complete	1	
2	-	Breaker housing	1	
3	9234000637	Tool latch, complete	1	
4	9234000635	Compress pring	1	
5	9232090540	Washer	1	
6	9234000636	Link arm	1	
7	-	Tool latch	1	
8	9234000095	Tool latch insert	1	
9	9234000094	Spring pin	1	
10	0300027474	Plain washer	4	
11	9234001004	Screw 25 Nm	4	
12	9234020949	Breaker housing, complete	1	
13	-	Breaker housing for 25 x 108 mm	1	
14	9234000637	Tool latch, complete	1	
15	9234000635	Compress pring	1	
16	9232090540	Washer	1	
17	9234000636	Link arm	1	
18	-	Tool latch	1	
19	9234000095	Tool latch insert	1	
20	9234000094	Spring pin	1	
21	0300027474	Plain washer	4	
22	9234001004	Screw 25 Nm	4	
23	9234012640	Tool chuck, complete	1	
24	-	Tool chuck, 28 x 152 mm, 11/8 x 6 in.	1	
25	9234000524	Seal, 28 mm, 1-1/8 in.	1	
26	9234012630	Tool chuck, complete	1	
27	-	Tool chuck, 28 x 160 mm, 11/8 x 61/4 in.	1	
28	9234000524	Seal, 28 mm, 1-1/8 in.	1	
29	9234012620	Tool chuck, complete	1	
30	-	Tool chuck, 32 x 152 mm, 11/4 x 6 in.	1	
31	9234000517	Seal, 32 mm, 1-1/4 in.	1	
32	9234012610	Tool chuck, complete	1	
33	--	Tool chuck, 32 x 160 mm, 11/4 x 61/4 in.	1	
34	9234000517	Seal, 32 mm, 1-1/4 in.	1	
35	9234012650	Tool chuck, complete	1	
36	-	Tool chuck, 25 x 108 mm	1	
37	9234003098	Seal, 25 mm, 1 in.	1	

Refer to Parts Online for the most up to date information. The printed information might be outdated.

Fri Aug 21 01:54:26 MDT 2015

This page intentionally left blank



Item	Part No.	Name	Qty	L
38	9234000535	Feed stop	2	
39	9234000179	Recoil spring	1	
40	9234000547	Piston guide, complete	1	
41	9234000554	Scraper ring, complete	1	
42	-	Speed seal	1	
43	-	O-ring	1	
44	-	Lock ring	1	
45	-	Scraper ring	1	
46	9234000536	Support ring	1	
47	-	Piston guide	1	
48	9234000228	O-ring	2	
49	9234000229	O-ring	1	
50	9234000230	O-ring	1	
51	9234000300	Hammer piston, complete	1	
52	-	Hammer piston	1	
53	9234000271	Piston ring, complete	1	
54	-	Piston ring	1	
55	-	O-ring	1	
56	9234000408	Hammer cylinder, complete	1	
57	9234000128	Gasket	1	
58	-	Hammer cylinder	1	
59	9232012351	Oil plug, complete	1	
60	-	Oil plug	1	
61	9232031090	O-ring	1	
62	9234000127	Gasket	1	
63	9234000423	Stud, M6 x 18 mm, L = 28 mm	2	
64	9234000301	Drive piston, complete	1	
65	9234000271	Piston ring, complete	1	
66	-	Piston ring	1	
67	-	O-ring	1	
68	-	Drive piston	1	
69	9234000245	Piston pin	1	
70	9232050560	Lock rail	2	
71	9234018520	Connection rod, complete	1	
72	-	Connection rod	1	
73	9234000396	Needle bushing	1	
74	9234000412	Shim	1	

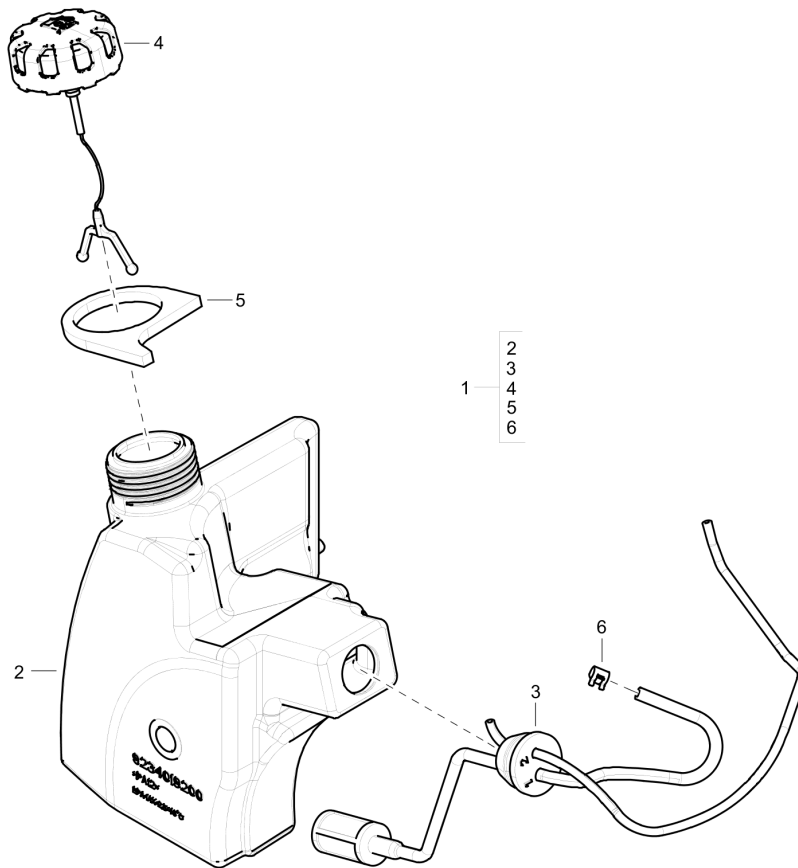
Refer to Parts Online for the most up to date information. The printed information might be outdated.

Fri Aug 21 01:54:26 MDT 2015

This page intentionally left blank

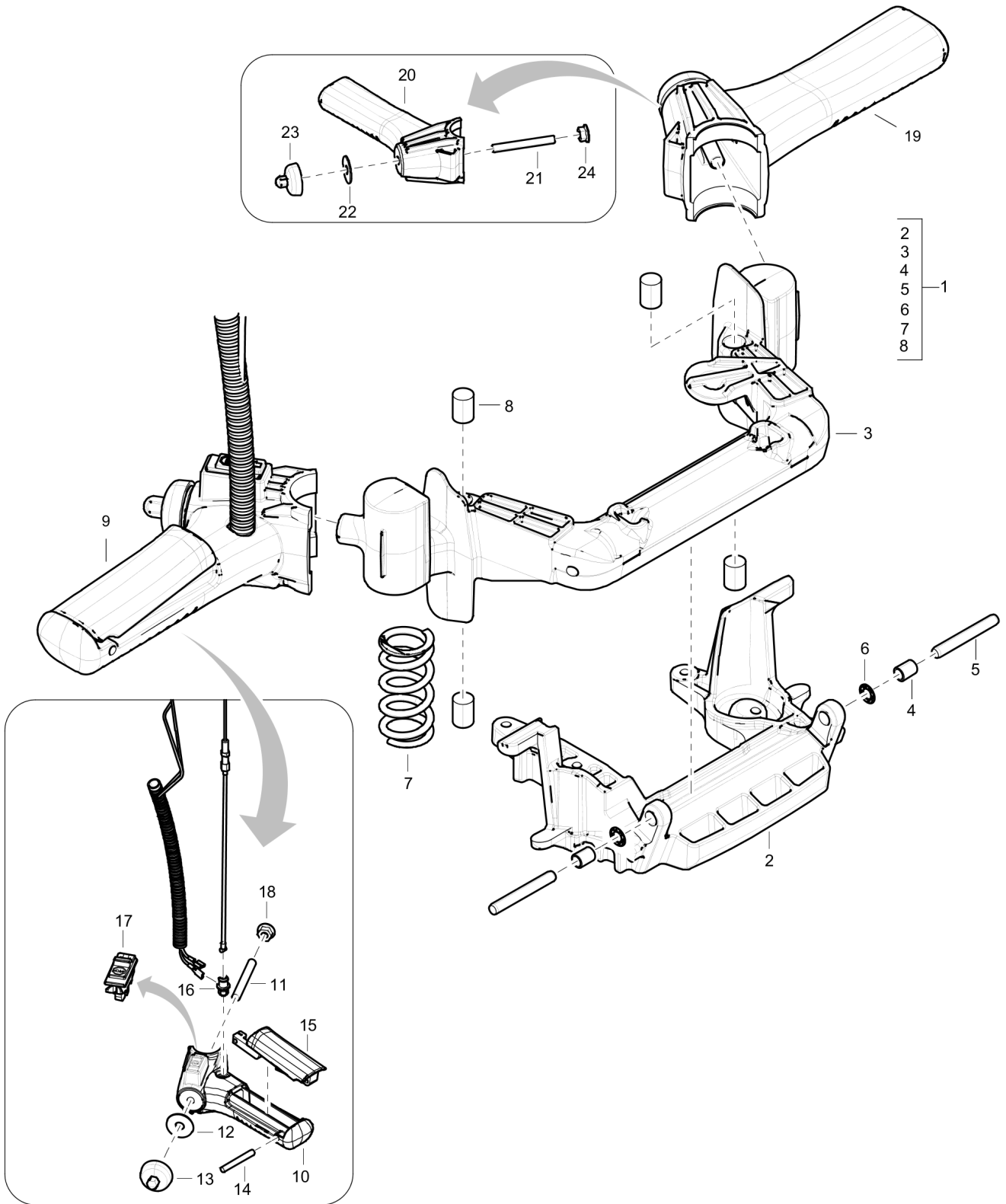
Item	Part No.	Name	Qty	L
75	9234000284	Lock rail	1	

**Mechanical** Fuel tank



Item	Part No.	Name	Qty	L
1	9234020837	Fuel tank complete	1	
2	-	Tank	1	
3	9234020838	Tank grommet, complete	1	
4	9234001519	Tank cap	1	
5	9234019300	Seal	1	
6	9234020836	Hose clip	1	

**Mechanical** Handle assembly



Refer to Parts Online for the most up to date information. The printed information might be outdated.

Fri Aug 21 01:55:00 MDT 2015

Item	Part No.	Name	Qty	L
1	9234021034	Handle Assembly	1	
2	-	Handle frame bracket	1	
3	-	Handle frame	1	
4	9234020861	Bearing	2	
5	0101231134	Parallel pin	2	
6	-	Lock washer	2	
7	-	Spring	1	
8	9234002921	End rubber	4	
9	9234020340	Handle, complete	1	
10	9234000487	Handle	1	
11	9234020306	Stud	1	
12	-	Washer, 12.2x20x0.5 mm	1	
13	9234019641	Handle knob	1	
14	9234000565	Pin	1	
15	9234000525	Throttle control	1	
16	9234000490	Nipple	1	
17	9234019650	Stop switch	1	
18	0261109981	Nut	1	
19	9234020330	Handle, complete	1	
20	9234000488	Handle	1	
21	9234020306	Stud	1	
22	-	Washer, 12.2x20x0.5 mm	1	
23	9234019641	Handle knob	1	
24	0261109981	Nut	1	

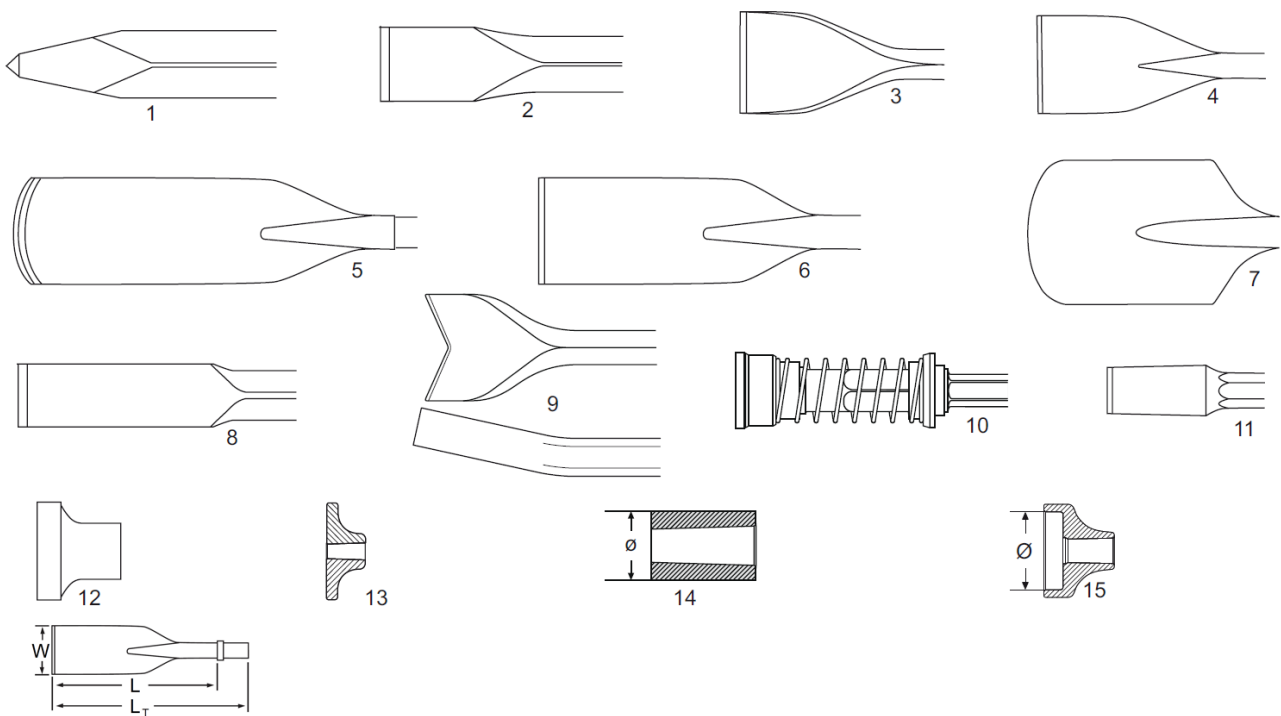
**Mechanical** Tightening torque

**NO DRAWING  
AVAILABLE  
FOR THIS BOM**



Item	Part No.	Name	Qty	L
Not Shown	-	Flywheel - 35 Nm	-	
Not Shown	-	Fan with aluminium hub - 15 Nm	-	
Not Shown	-	M6 screws for silencer and fan cover - 8 Nm	-	
Not Shown	-	M6 nuts + other M6 screws - 10 Nm	-	
Not Shown	-	M8 screws for engine/hammer cylinder - 23 Nm	-	
Not Shown	-	M8 screws for breaker housing - 25 Nm	-	A
Not Shown	-	M5 screws for engine cylinder - 10 Nm	-	
Not Shown	-	M5 screw for crankcase valve - 8 Nm	-	
Not Shown	-	M5 nuts for filter housing - 4 Nm	-	
Not Shown	-	M4 screws for electronic unit - 2.9 Nm	-	
Not Shown	-	Special screws (9234 0001 54) for carrier - 2 Nm	-	
Not Shown	-	Oil plug for gear box - 2 Nm	-	B
Not Shown	-	De-compression valve - 20 Nm	-	
Not Shown	-	Spark plug - 20 Nm	-	
Not Shown	-	Filter cover knob - >2 Nm	-	
Not Shown	-	M6 studs on crankcase halves - 4-5 Nm	-	C
Not Shown	-	M8 x 1 nuts for handle assembly - 10 Nm	-	

**Options/ Accessories** Working tools 25 x 108 mm



Item	Part No.	Name	Qty	L
1	3083325300	Moil point	1	A
2	3083325400	Narrow chisel	1	B
3	3083325500	Wide chisel	1	C
4	3083325650	Asphalt cutter	1	D
5	3083325600	Digging chisel	1	E
6	3083325700	Digging spade	1	F
7	3083303300	Clay spade	1	G
8	3083325800	Frost wedge	1	H
9	3083325850	Tie tamper	1	I
11	3083325900	Shaft for tamping pad	1	J
12	3083325210	Tamping pad (round), W=175 mm	1	K
13	3083323900	Tamping pad(square), W=175 mm	1	L
14	9245282230	Posthole pad, W= 40 mm	1	M
15	9245281790	Driver pad, W=100 mm	1	N

Comments for Page: Working tools 25 x 108 mm

(L)OCAL REMARKS

A | W= -, L=380 mm, Lt=500 mm

B | W= -, L=380 mm, Lt=50 mm

C | W= 75 mm ,L=380 mm, Lt=500 mm

D | W= 125 mm, L=380 mm, Lt=500 mm

E | W= 125 mm, L=430 mm, Lt=550 mm

F | W= 75 mm, L=380 mm, Lt=500

G | W= 120 mm, L=380 mm, Lt=500 mm

H | W= 35 mm, L=380 mm, Lt=500 mm

I | W= 100 mm, L=380 mm, Lt=500 mm

J | W= -, L=280 mm, Lt=400 mm

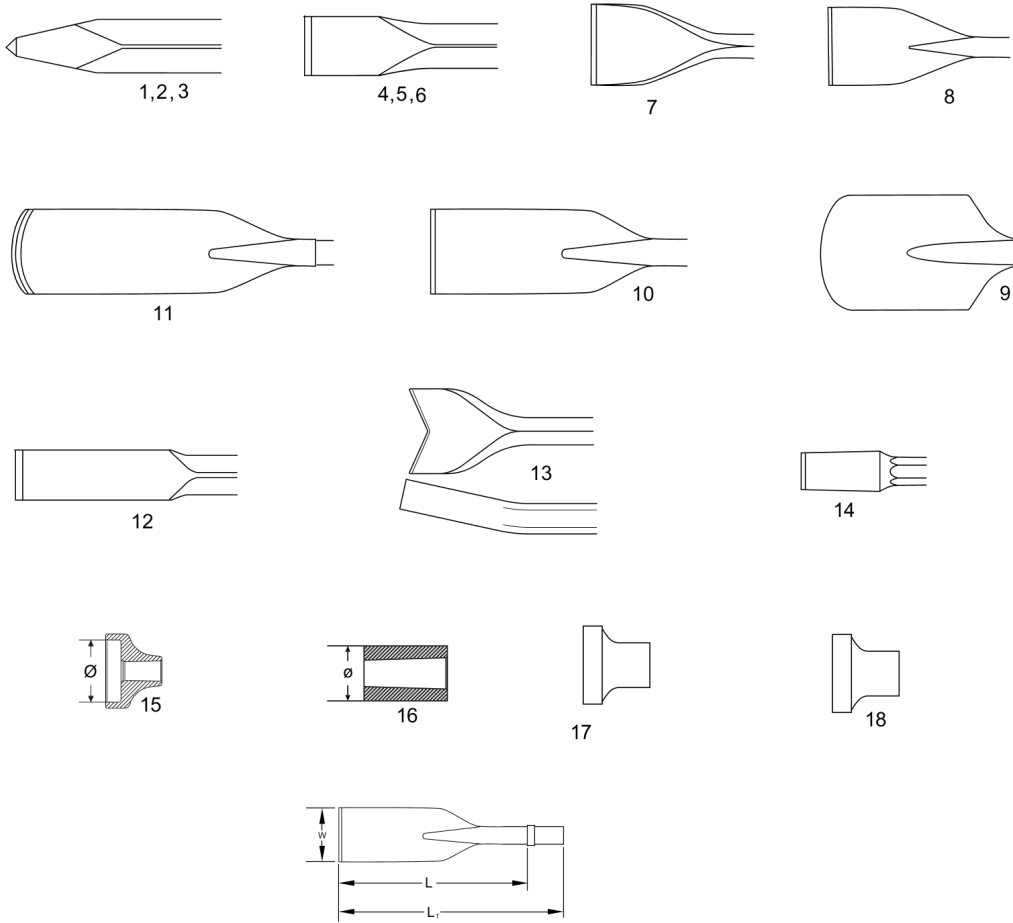
K | W=100 mm, L=-, Lt=-

L | W= 40 mm, L=-, Lt=-

M | W= 175 mm, L=-, Lt=-

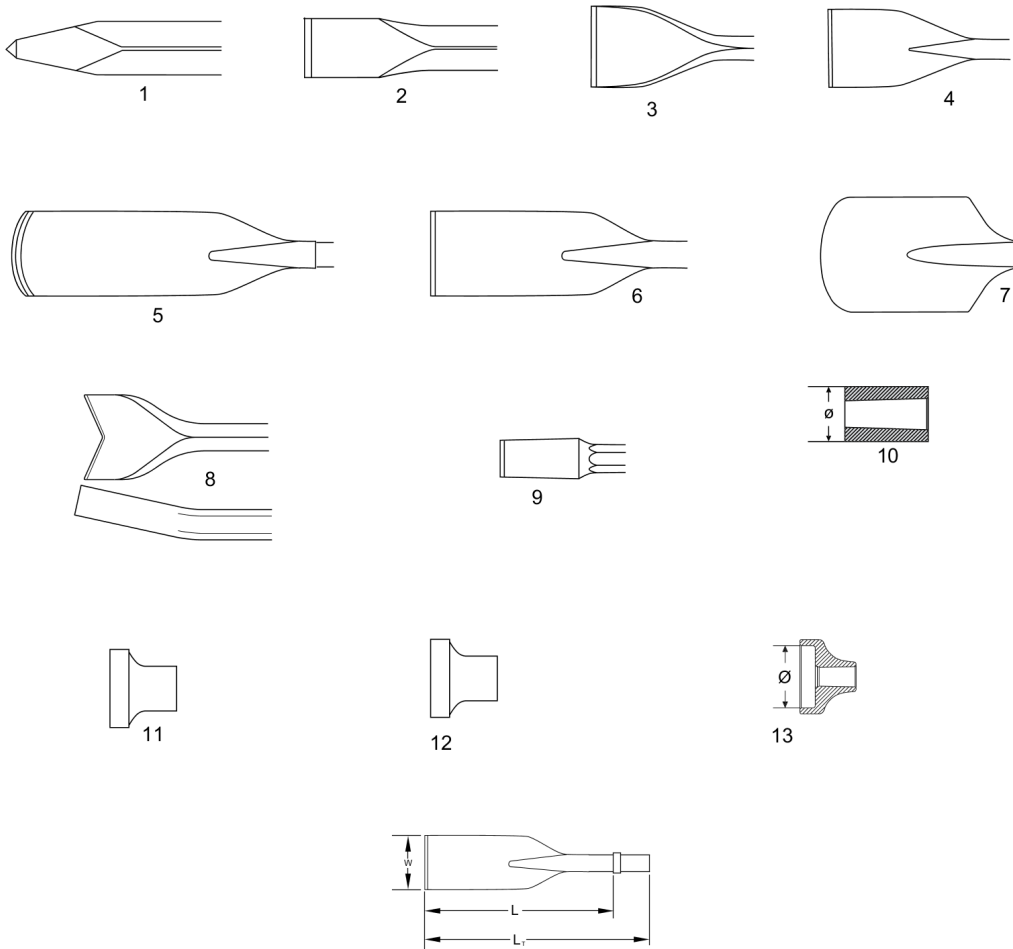
N | W=175 mm, L=- , Lt=-

**Options/ Accessories** Working tools 25X108 mm US (Flat to flat)



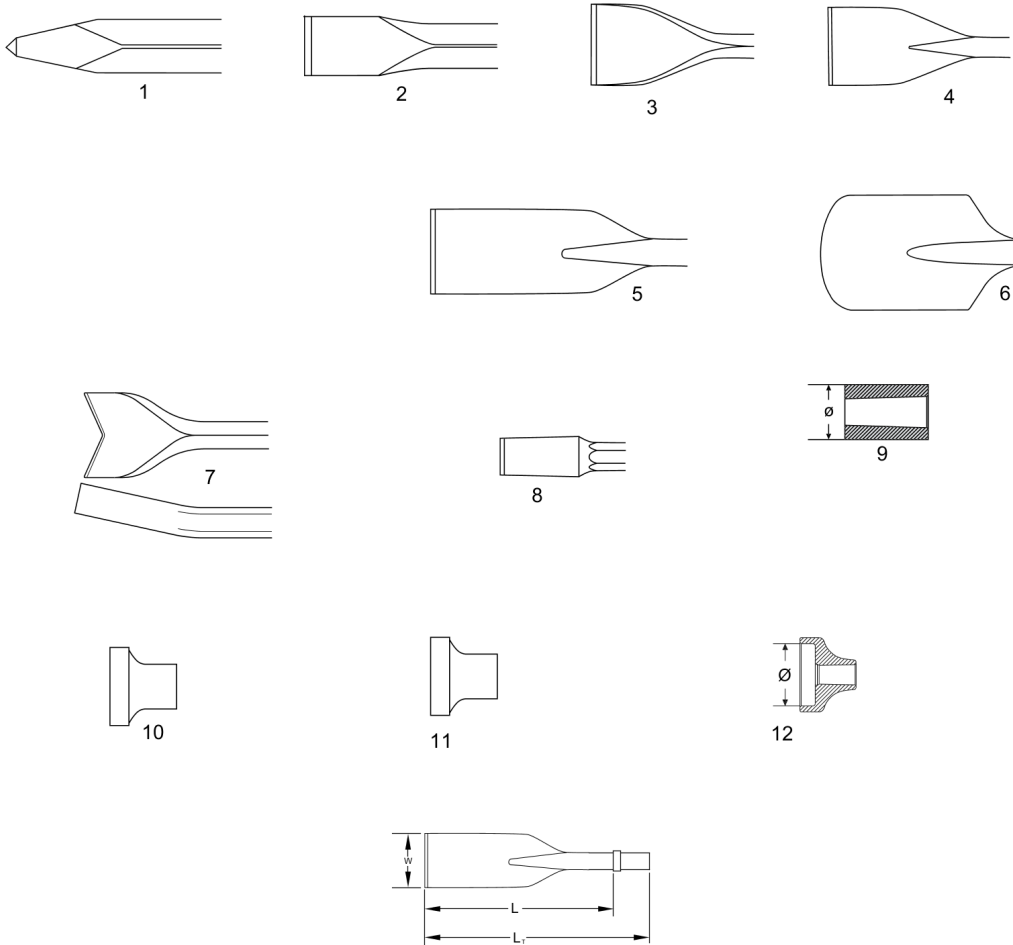
Item	Part No.	Name	Qty	L
1	3083403000	Moil point	1	
2	3083403010	Moil point	1	
3	3083403020	Moil point	1	
4	3083330900	Narrow chisel	1	
5	3083403110	Narrow chisel	1	
6	3083403120	Narrow chisel	1	
7	3083331000	Wide chisel	1	
8	3083403300	Asphalt cutter	1	
9	3083403500	Clay spade	1	
10	3083331200	Digging spade	1	
11	3083331100	Digging chisel	1	
12	3083331300	Wedge chisel	1	
13	3083332000	Tie tamper	1	
14	3083403700	Shaft	1	
15	9245281790	Driver pad, W=100 mm	1	
16	9245282230	Posthole pad, W= 40 mm	1	
17	3083325210	Tamping pad (round), W=175 mm	1	
18	3083323900	Tamping pad(square), W=175 mm	1	

**Options/ Accessories** Working Tools 28 X 152



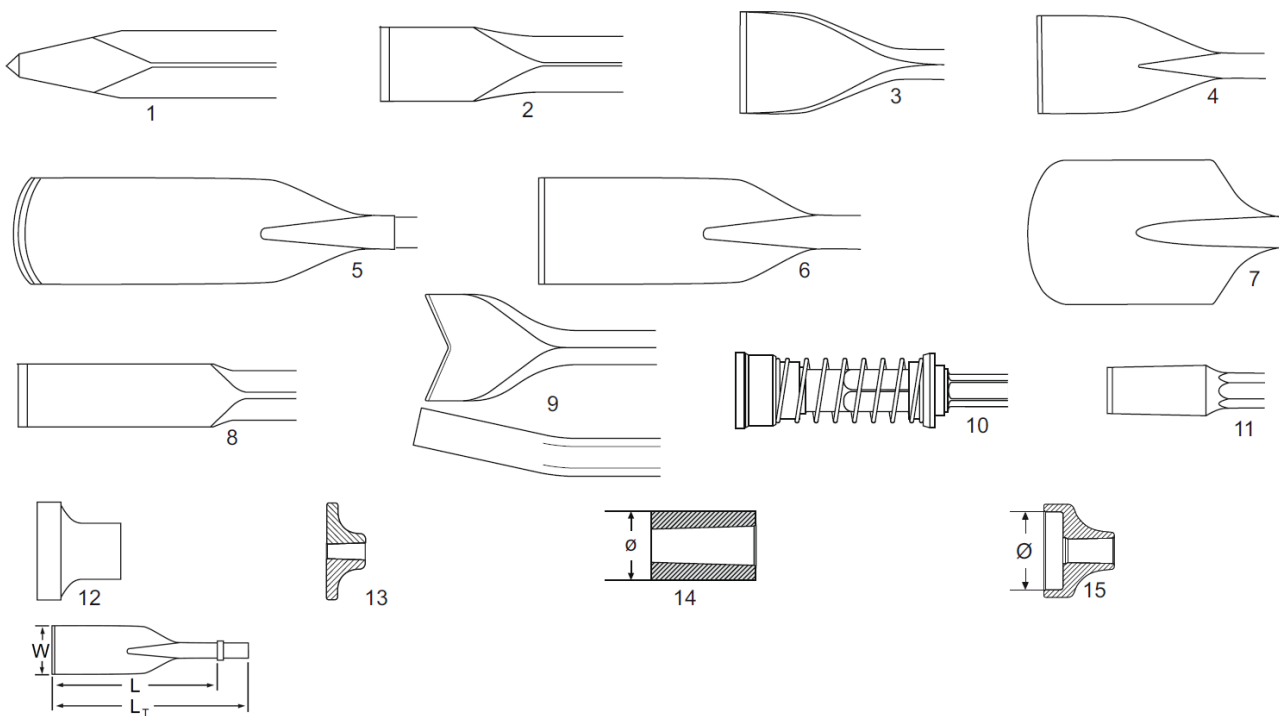
Item	Part No.	Name	Qty	L
1	3083326700	Moil point	1	
1	3083401510	Moil point	1	
1	3083401520	Moil point	1	
2	3083326800	Narrow chisel	1	
2	3083401610	Narrow chisel	1	
2	3083401620	Narrow chisel	1	
3	3083328900	Wide chisel	1	
3	3083401700	Wide chisel	1	
4	3083401900	Asphalt cutter	1	
4	3083329000	Asphalt cutter	1	
5	3083329100	Digging chisel	1	
6	3083329200	Digging spade	1	
7	3083329300	Clay spade	1	
8	3083402010	Tie tamper	1	
9	3083326900	Shaft for tamping pad	1	
10	9245282710	Driver blank	1	
11	3376112079	Driver pad	1	
12	3083330100	Tamping pad, round	1	
13	3083330200	Tamping pad, square	1	
13	3083319700	Tamping pad, square	1	

**Options/ Accessories** Working Tools 32 X 152



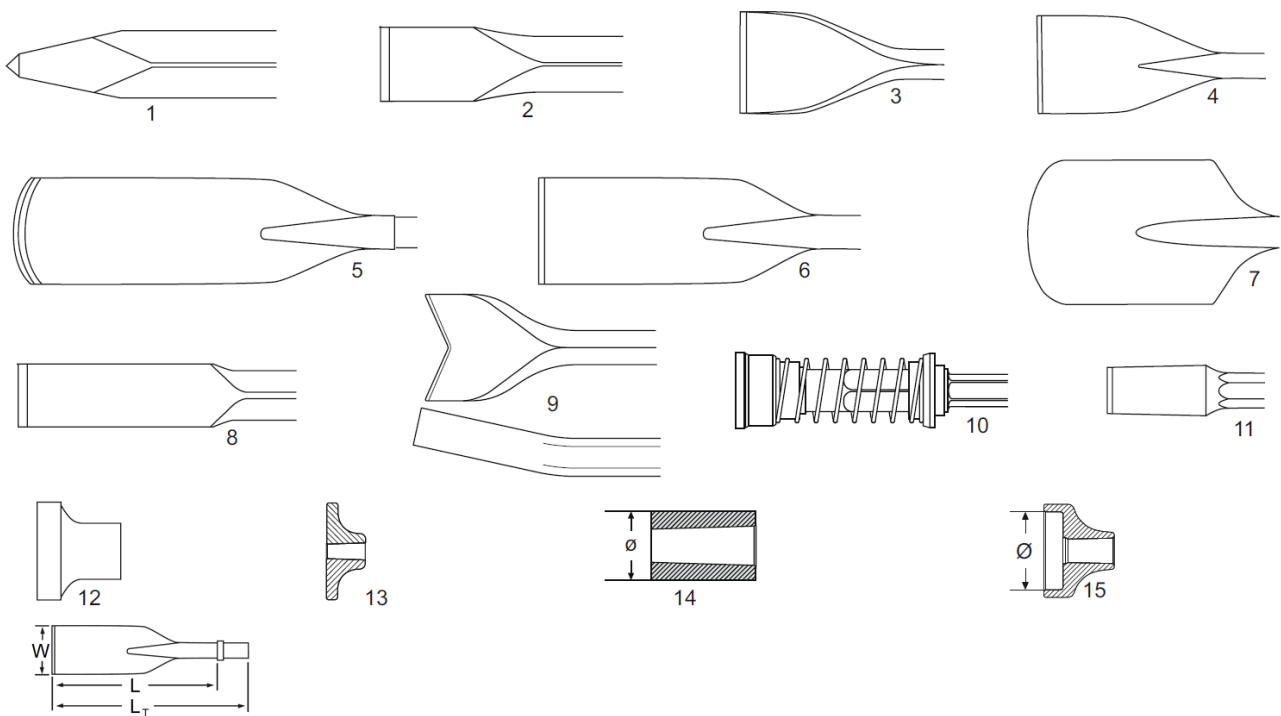


Item	Part No.	Name	Qty	L
1	3083328500	Moil point	1	
1	3083400010	Moil point	1	
1	3083400020	Moil point	1	
2	3083328600	Narrow chisel	1	
2	3083400110	Narrow chisel	1	
3	3083329500	Wide chisel	1	
4	3083400400	Asphalt cutter	1	
4	3083329600	Asphalt cutter	1	
5	3083329800	Digging spade	1	
6	3083329900	Clay spade	1	
7	3083331400	Tie tamper	1	
7	3083331410	Tie tamper	1	
8	3083328700	Shaft for tamping pad	1	
9	9245282710	Driver blank	1	
10	3376112079	Driver pad	1	
11	3083330100	Tamping pad, round	1	
12	3083330200	Tamping pad, square	1	
12	3083319700	Tamping pad, square	1	

**Options/ Accessories** Working tools 28 x 160 mm

Item	Part No.	Name	Qty	L
1	3083327100	Moil point	1	A
1	3083327200	Moil point	1	B
1	3083327300	Moil point	1	C
2	3083327400	Narrow chisel	1	D
2	3083327500	Narrow chisel	1	E
2	3083327600	Narrow chisel	1	F
3	3083327700	Wide chisel	1	G
4	3083327800	Asphalt cutter	1	H
5	3083327900	Digging chisel	1	I
6	3083328000	Digging spade	1	J
7	3083328100	Clay spade	1	K
8	3083328200	Wedge chisel	1	L
9	3083331900	Tie tamper	1	M
11	3083328301	Shaft for tamping pad	1	N
12	3083330100	Tamping pad, round	1	O
13	3083330200	Tamping pad, square	1	P
13	3083319700	Tamping pad, square	1	Q
14	9245282710	Driver blank	1	R
15	3376112079	Driver pad	1	S

**Options/ Accessories** Working tools 32 x 160 mm



Item	Part No.	Name	Qty	L
1	3083320500	Moil point	1	A
1	3083320600	Moil point	1	B
1	3083320700	Moil point	1	C
2	3083320800	Narrow chisel	1	D
2	3083320900	Narrow chisel	1	E
2	3083321000	Narrow chisel	1	F
3	3083321100	Wide chisel	1	G
4	3083321200	Asphalt cutter	1	H
5	3083321300	Digging chisel	1	I
6	3083321400	Digging spade	1	J
7	3083321500	Clay spade	1	K
8	3083321600	Wedge chisel	1	L
9	3083321700	Tie tamper	1	M
9	3083321710	Tie tamper	1	N
10	9245282681	Spiking tool	1	O
11	3083321801	Shaft for tamping pad	1	P
12	3083330100	Tamping pad, round	1	Q
13	3083330200	Tamping pad, square	1	R
13	3083319700	Tamping pad, square	1	S
14	9245282710	Driver blank	1	T
15	3376112079	Driver pad	1	U

Comments for Page: Working tools 32 x 160 mm

(L)OCAL REMARKS

A | W= - L=380 mm, Lt=545 mm, Wt=3,5 kg

B | W= - L=450 mm, Lt=615 mm, Wt=4,0 kg

C | W= - L=1000 mm, Lt=1165 mm, Wt=7,6 kg

D | W= - L=380 mm, Lt=545 mm, Wt=3,5kg

E | W= - L=450 mm, Lt=615 mm, Wt=4,0 kg

F | W= - L=1000 mm, Lt=1165 mm, Wt=7,6 kg

G | W= 75 L=380 mm, Lt=545 mm, Wt=3,7 kg

H | W= 115 L=300 mm, Lt=465 mm, Wt=3,8 kg

I | W= 75 L=380 mm, Lt=545 mm, Wt=4,4 kg

J | W= 125 L=380 mm, Lt=545 mm, Wt=5,1 kg

K | W= 140 L=380 mm, Lt=545 mm, Wt=5,4 kg

L | W= 40 L=400 mm, Lt=565 mm, Wt=4,1 kg

M | W= 100 L=400 mm, Lt=565 mm, Wt=4,9 kg

N | W= 100 L=580 mm, Lt=745 mm, Wt=6,2 kg

O | W= - L= 195 mm, Lt= 360 mm, Wt=4,6 kg

P | W= - L= 235 mm, Lt= 400 mm, Wt=3,2 kg

Q | W=180 L= - mm, Lt= - mm, Wt=7,2 kg

R | W= 150 L= - mm, Lt= - mm, Wt=8,3 kg

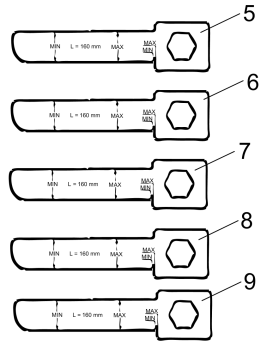
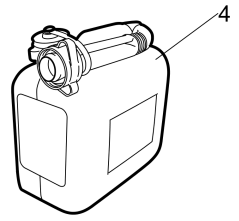
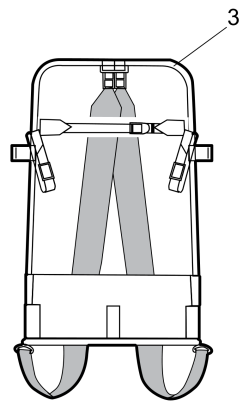
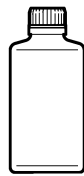
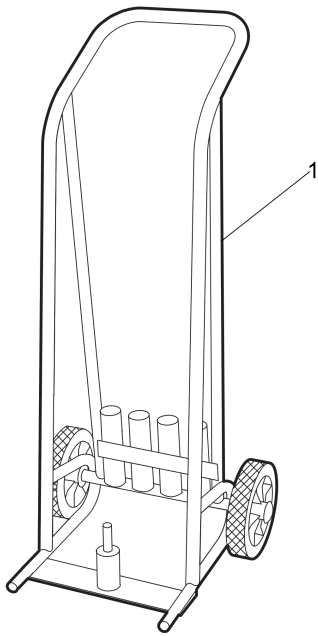
S | W= 200 L= - mm, Lt= - mm, Wt= 8,5 kg

T | W= 80 L= - mm, Lt= - mm, Wt= 3,5 kg

U | W= 120 L= - mm, Lt= - mm, Wt= - kg

This page intentionally left blank

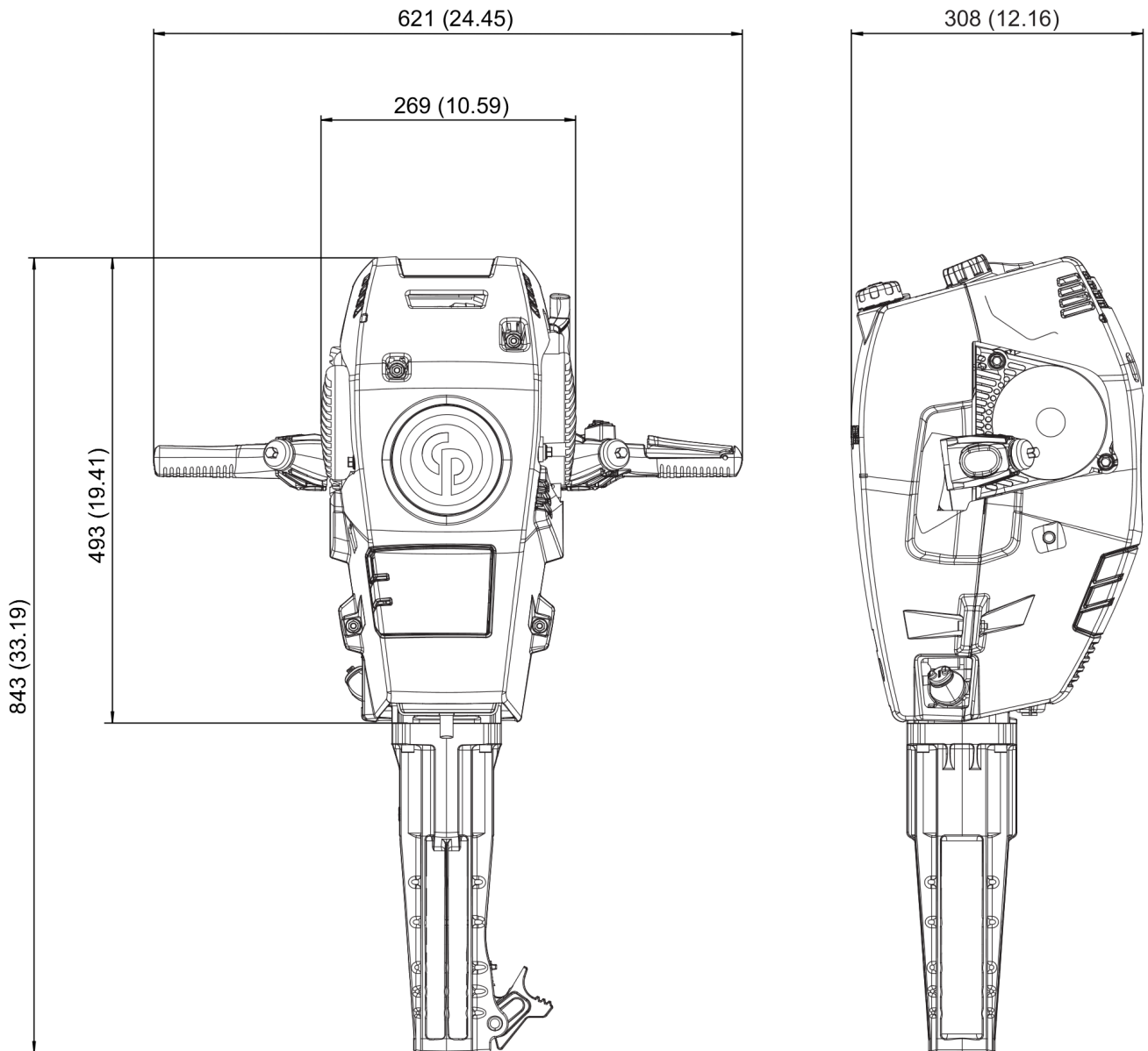
**Options/ Accessories** Accessories





Item	Part No.	Name	Qty	L
1	9234000654	Trolley	1	
3	9238281410	Carrying harness	1	
4	9234000897	Petrol can 5.0 litres, 1.1 gal Not approved in US according to EPA regulations.	1	
5	9238274300	Template, 28 x 152 mm, 11/8 x 6 in.	1	
6	9238274310	Template gauge, 28 x 160 mm, 11/8 x 61/4 in.	1	
7	9238273870	Template, 32 x 152 mm, 11/4 x 6 in.	1	
8	9238273880	Template gauge, 32 x 160 mm, 11/4 x 61/4 in.	1	
9	9234020846	Template gauge, 25 x 108 mm	1	
10	9234020996	Mixolene Oil 1 L	12	

Options/ Accessories Dimensions



Refer to Parts Online for the most up to date information. The printed information might be outdated.

Fri Aug 21 01:56:58 MDT 2015





**Chicago  
Pneumatic**