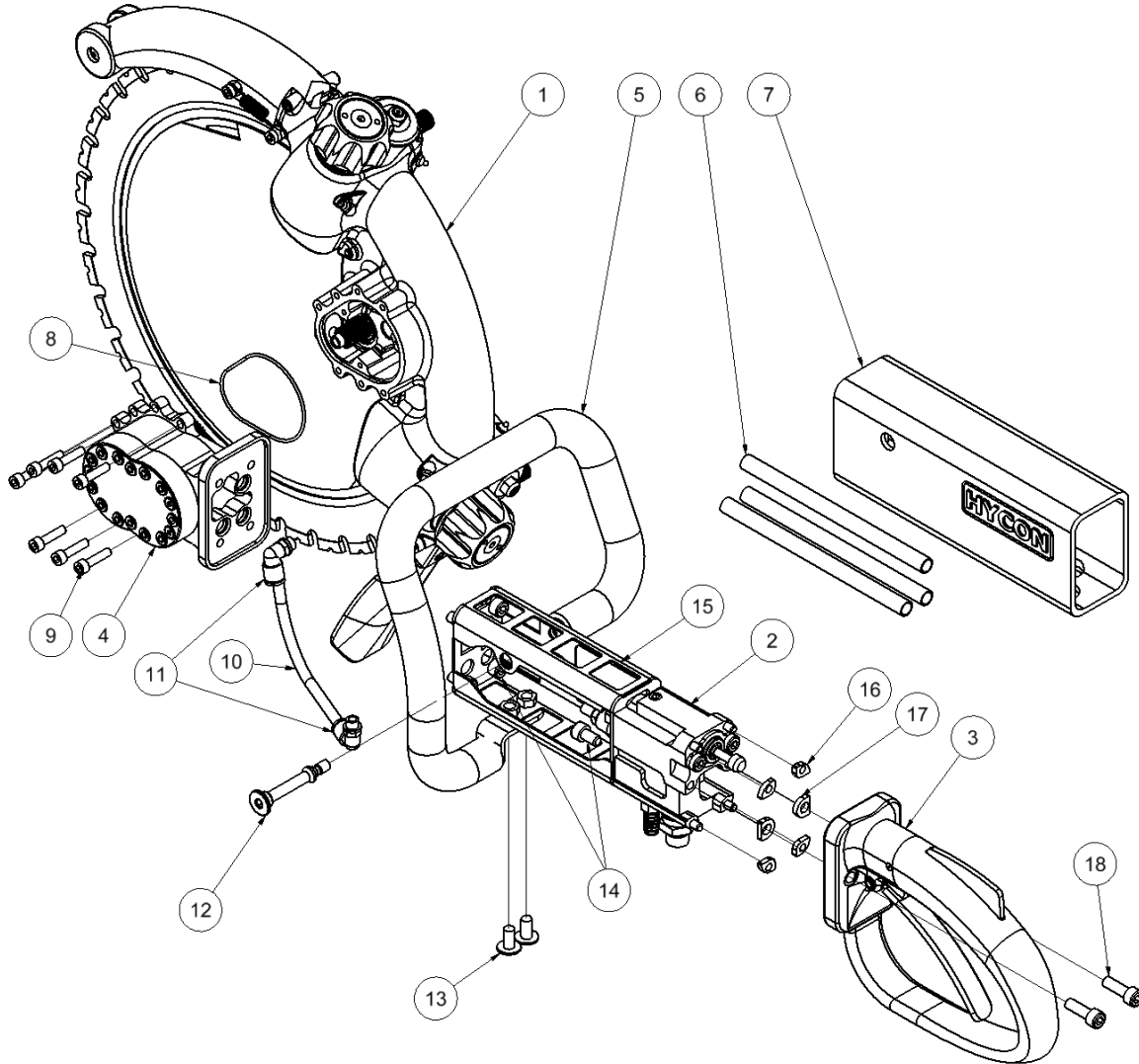


HRS400 Ring Saw Spare Part List

From Serial No. 9786

Fig. 1 – Chassis Compl

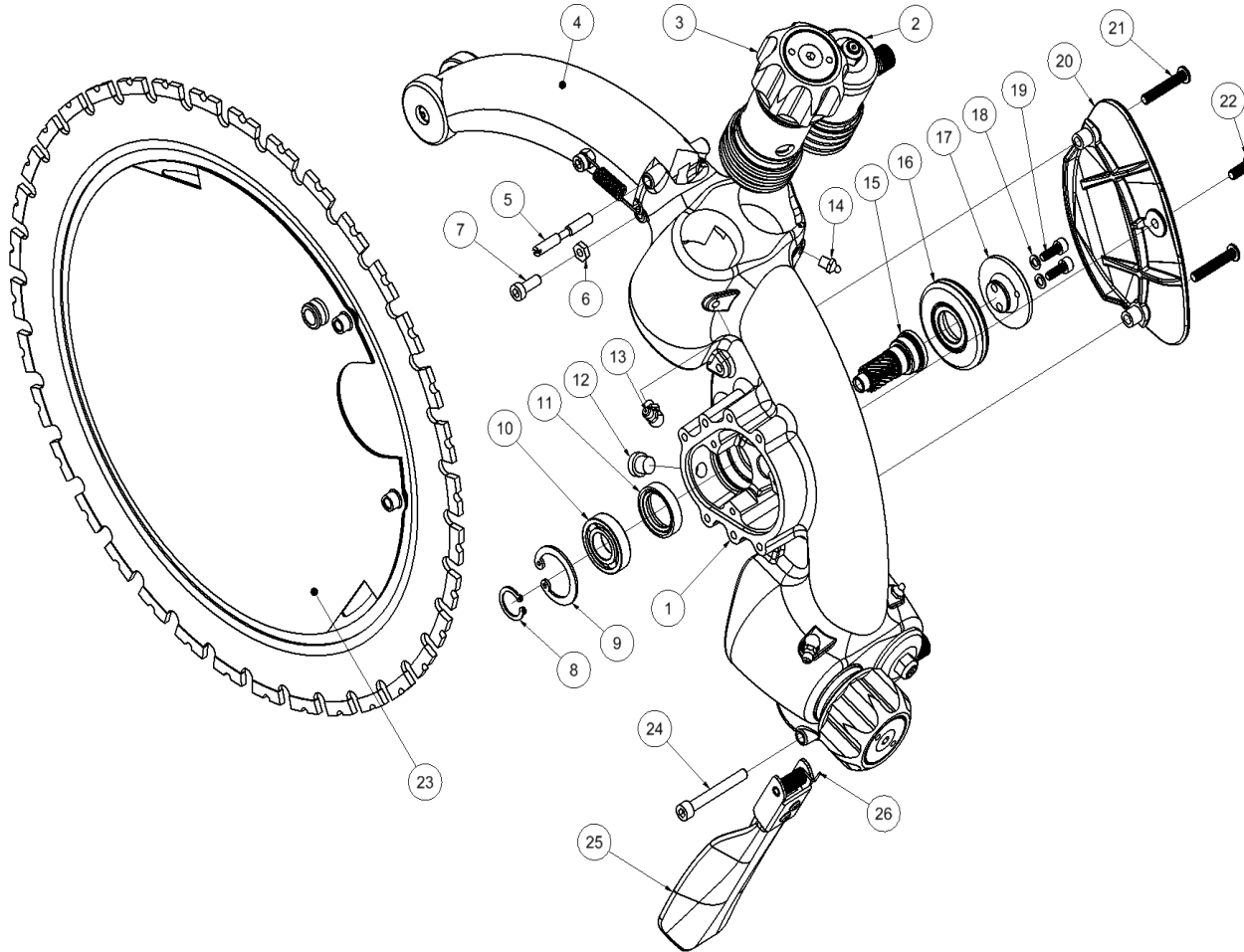


Pos.	Part No.	Description	Pcs.
-	4341470	3/8" waterhose-set compl. w/ball valve	1
-	4342640	1/2" tailhose-set 2 m <i>Incl. quick-release couplings</i>	1
-	7401141	Q.R. coupling 1/2" BSP male	1
-	7401142	Q.R. coupling 1/2" BSP female	1
-	9033082	Seal Kit - f/Ring Saw	1
1	-	Ring saw head <i>See fig. 2</i>	1
2	-	Valve block complete <i>See fig. 3</i>	1
3	9031504	Handle complete <i>See fig. 7</i>	1
4	3132960	Motor complete <i>See fig. 8</i>	1
5	9032583	Handle compl.	1
6	8232578	Tube	3
7	8732580	Plastic cover	1
8	7532512	O-ring 76x2 <i>Incl. In 9033082.</i>	1
9	7611243	Screw M6x25 <i>Loctite 243, 10 NM</i>	7
10	8232607	Tube	1
11	7432606	Fitting	2
12	8231481	Bolt f/ handle <i>Loctite 243, 15 Nm</i>	1
13	7611282	Screw M8x16	2
14	7631395	Screw M8x14 <i>Loctite 243, 20 Nm</i>	5
15	8232961	Frame	1
16	8732391	Heat insulation $\varnothing 6$	4
17	8732392	Heat insulation $\varnothing 8$	2
18	7631496	Screw M8x25 <i>Loctite 243, 15 NM</i>	2

HRS400 Ring Saw Spare Part List

From Serial No. 9786

Fig. 2 – Head

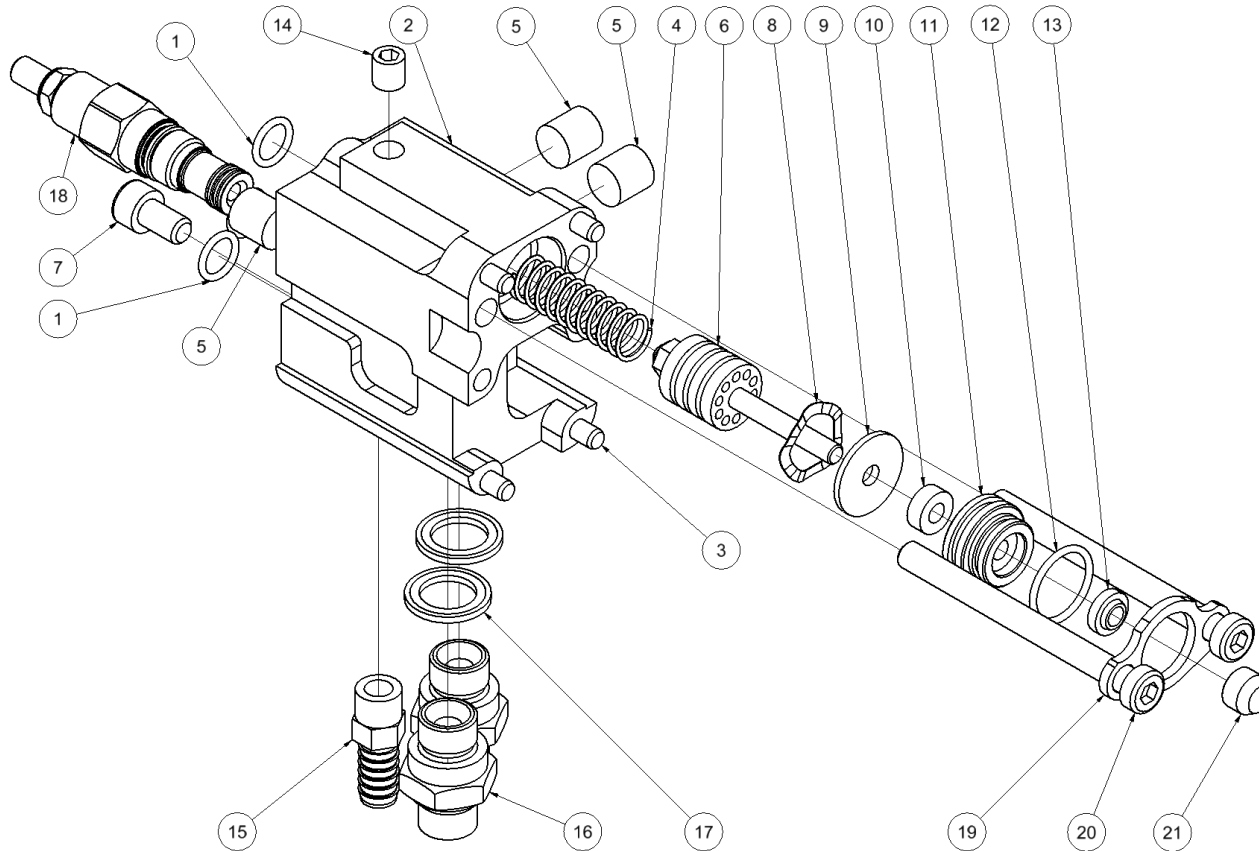


Pos.	Part No.	Description	Pcs.
1	8232959	Housing	1
2	3132476	Support roller assy	2
3	3132471	Guide roller assy	2
4	3132480	Guard complete	1
5	8232638	Screw f/guard <i>Loctite 243</i>	1
6	7621028	Nut M6	4
7	7632537	Screw M6x16	4
8	7632603	Retaining ring A17	1
9	7632534	Retaining ring J35	1
10	7632545	Ball bearing	1
11	7532520	Shaft seal <i>Incl. In 9033082.</i>	1
12	7621323	Threaded plug 1/8" w/seal	1
13	7632726	Grease nipple 90° <i>Loctite 638</i>	2
14	7611285	Grease nipple straight <i>Loctite 638</i>	2
15	-	Drive shaft <i>Incl. In 9032955. Not sold separately</i>	1
16	8232470	Drive wheel	1
17	8232503	Clamping flange f/drive wheel	1
18	7632523	Spring washer	2
19	7632544	Screw M5x14	2
20	8232501	Front cover	1
21	7632552	Screw M6x35	2
22	7632513	Screw M6x16	1
23	8233061	Water blade	1
24	7631700	Screw M6x50 <i>Loctite 243</i>	1
25	3132479	Splash guard	1
26	8632711	Spring	1
-	9032955	Gear Wheel Set <i>Pos 15 and Fig.8 Pos 2</i>	1

HRS400 Ring Saw Spare Part List

From Serial No. 9786

Fig. 3 – Valve Block

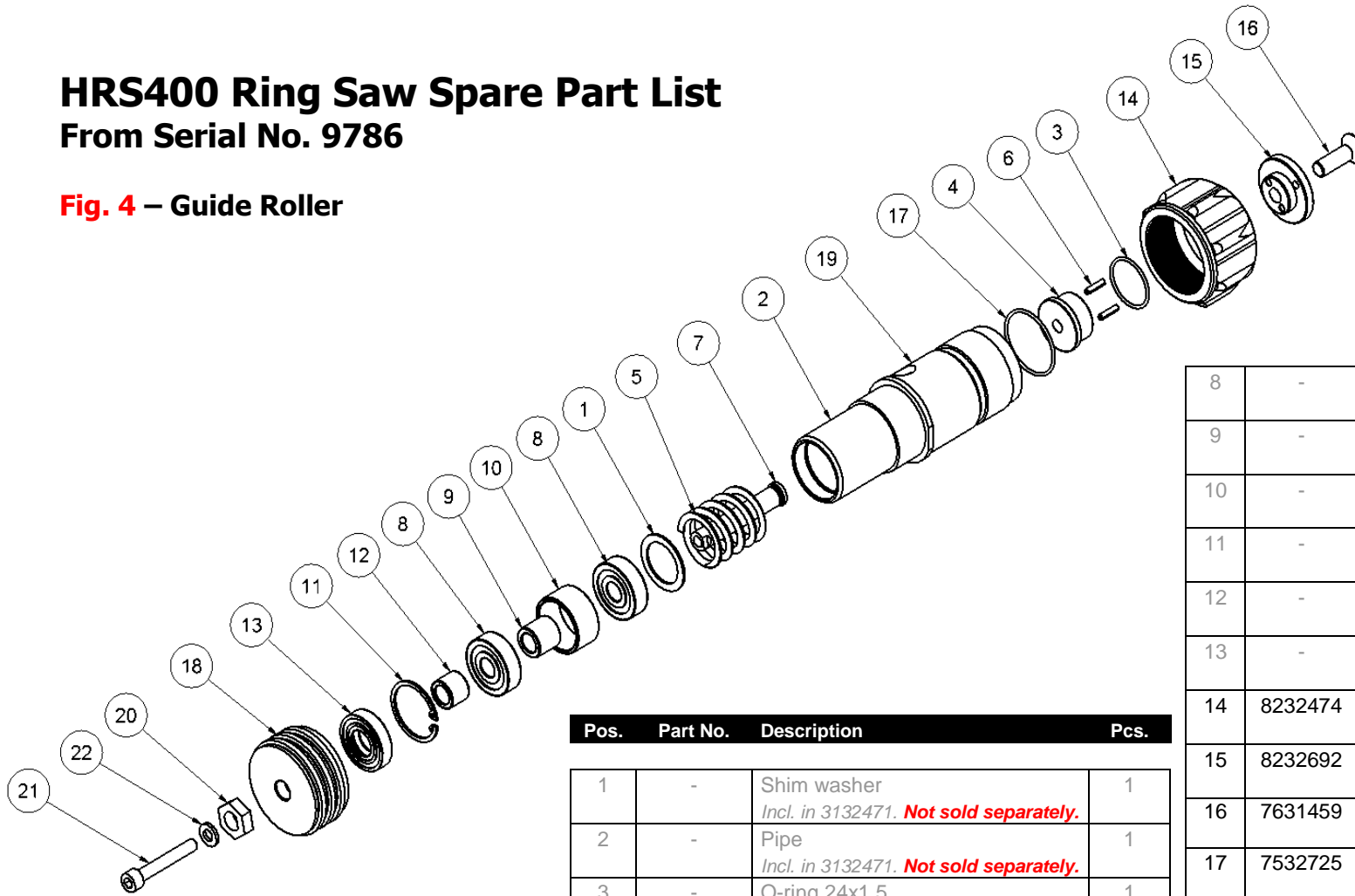


Pos.	Part No.	Description	Pcs.
1	7531493	O-ring 12x2 <i>Incl. In 9033082.</i>	3
2	8232962	Valve block	1
3	7632395	Cylinder pin $\varnothing 6 \times 16$	4
4	8611249	Compression spring	1
5	7621036	Pipe plug 1/4" <i>Loctite 542, 70 Nm</i>	3
6	9032413	Trigger piston complete	1
7	7631395	Screw M8x14 <i>Loctite 243, 20 Nm</i>	1
8	7611252	Crinkled spring washer	1
9	8211251	Washer	1
10	7521014	Seal <i>Incl. In 9033082.</i>	1
11	8211226	Seal housing	1
12	7511248	O-ring 20x2 <i>Incl. In 9033082.</i>	1
13	7521013	Seal <i>Incl. In 9033082.</i>	1
14	7621037	Pipe plug 1/8" <i>Loctite 542, 25 Nm</i>	1
15	7431417	Fitting <i>Loctite 542</i>	1
16	8231394	Fitting 3/8"x3/8"	2
17	7521017	Seal ring 3/8" <i>Incl. In 9033082.</i>	2
18	7432609	Pressure relief valve <i>40 Nm</i>	1
19	8231451	Bracket f/trigger piston	1
20	7631453	Screw M8x90 <i>Loctite 243, 20 Nm</i>	2
21	8211227	Distance piece	1

HRS400 Ring Saw Spare Part List

From Serial No. 9786

Fig. 4 – Guide Roller



Please note:
The quantities apply to one guide roller. There are two complete guide rollers in the ring saw.

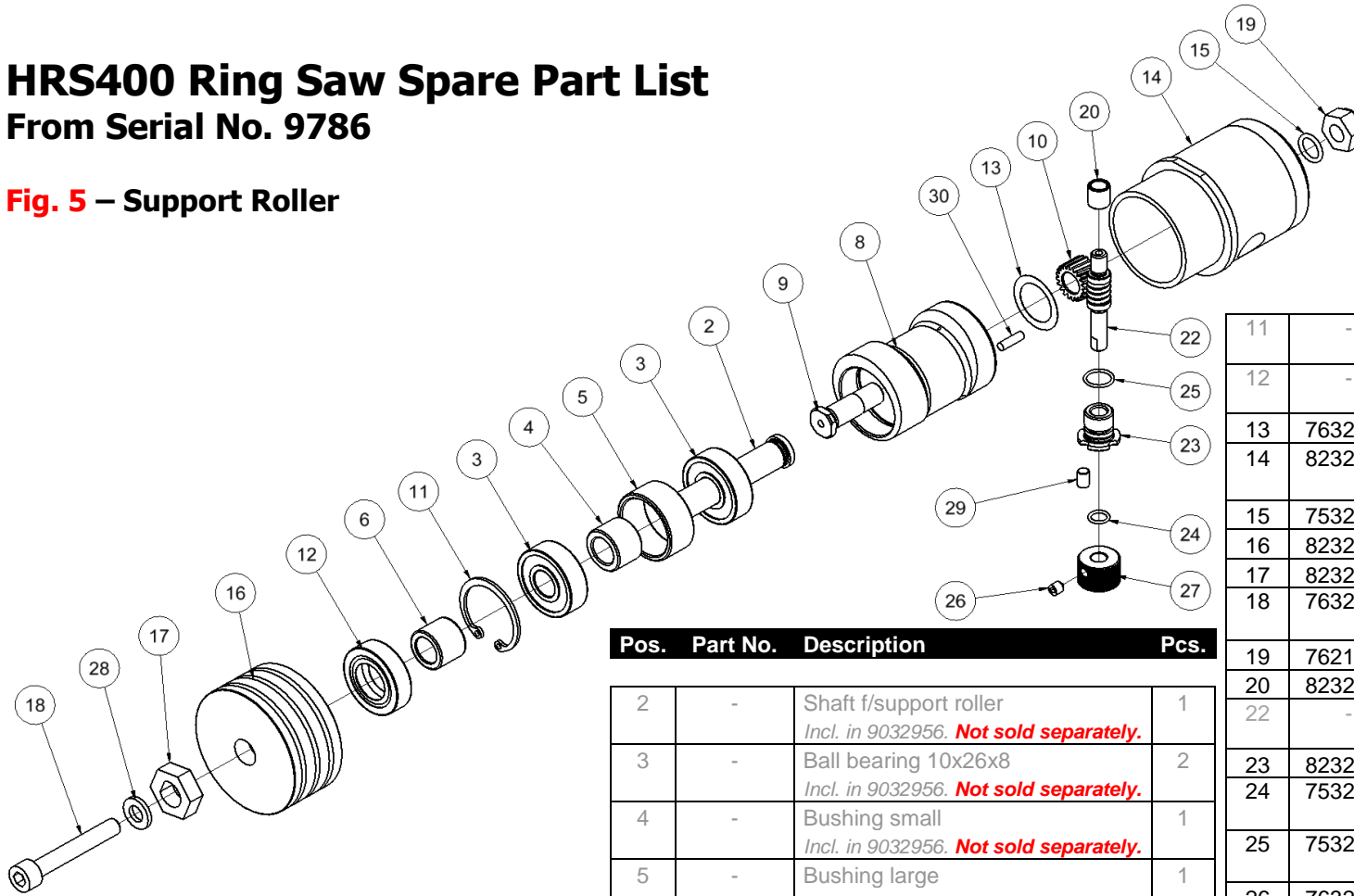
Pos.	Part No.	Description	Pcs.
1	-	Shim washer <i>Incl. in 3132471. Not sold separately.</i>	1
2	-	Pipe <i>Incl. in 3132471. Not sold separately.</i>	1
3	-	O-ring 24x1.5 <i>Incl. in 3132471. Not sold separately.</i>	1
4	-	Washer f/spring <i>Incl. in 3132471. Not sold separately.</i>	1
5	-	Spring <i>Incl. in 3132471. Not sold separately.</i>	1
6	-	Roll pin ø3x12 <i>Incl. in 3132471. Not sold separately.</i>	2
7	-	Shaft <i>Incl. in 3132471. Not sold separately.</i>	1

8	-	Ball bearing 10x30x9 <i>Incl. in 3132471. Not sold separately.</i>	2
9	-	Distance bushing, small <i>Incl. in 3132471. Not sold separately.</i>	1
10	-	Distance bushing, large <i>Incl. in 3132471. Not sold separately.</i>	1
11	-	Retaining ring 30x1.2 <i>Incl. in 3132471. Not sold separately.</i>	1
12	-	Bushing <i>Incl. in 3132471. Not sold separately.</i>	1
13	-	Shaft seal 15x30x7 <i>Incl. in 3132471. Not sold separately.</i>	1
14	8232474	Tightening knob <i>Incl. in 3132471</i>	1
15	8232692	Washer f/tightening knob <i>Incl. in 3132471</i>	1
16	7631459	Screw M8x25 <i>Incl. in 3132471. Loctite 243, 15 Nm</i>	1
17	7532725	O-ring 35x1.5 <i>Incl. in 3132471 / Incl. In 9033082</i>	1
18	8232465	Guide roller	1
19	8232475	Bushing <i>Loctite 638</i>	1
20	8232492	Hexagon nut	1
21	7632528	Screw M6x40 <i>Loctite 243, 15 Nm</i>	1
22	7621136	Washer M6	1
-	3132471	Guide roller assy <i>Pos. 1-17, Use grease</i>	1

HRS400 Ring Saw Spare Part List

From Serial No. 9786

Fig. 5 – Support Roller



Please note:
 The quantities apply to one support roller.
 There are two complete support rollers in the ring saw.

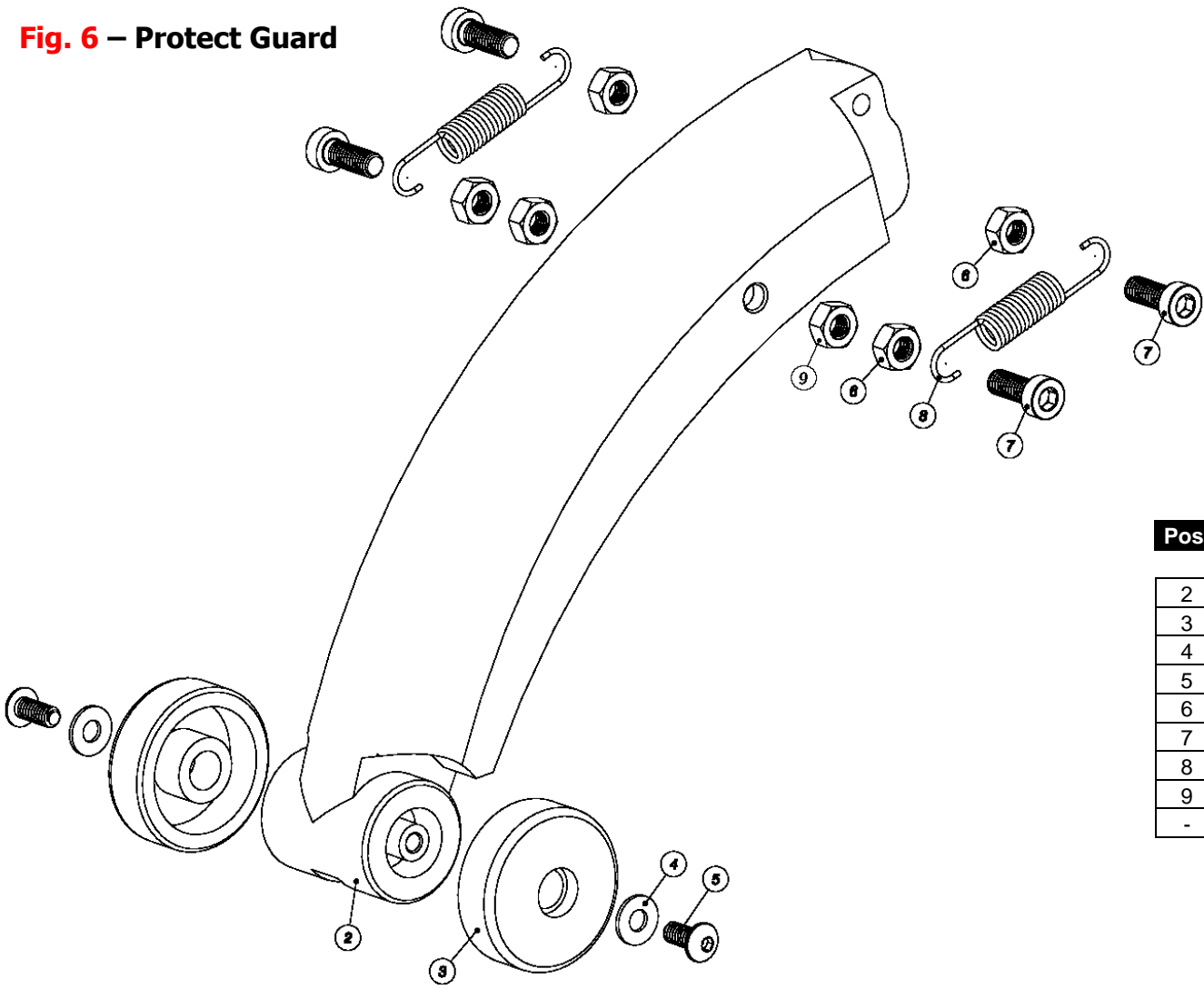
Pos.	Part No.	Description	Pcs.
2	-	Shaft f/support roller <i>Incl. in 9032956. Not sold separately.</i>	1
3	-	Ball bearing 10x26x8 <i>Incl. in 9032956. Not sold separately.</i>	2
4	-	Bushing small <i>Incl. in 9032956. Not sold separately.</i>	1
5	-	Bushing large <i>Incl. in 9032956. Not sold separately.</i>	1
6	-	Bushing <i>Incl. in 9032956. Not sold separately.</i>	1
8	-	Eccentric roll <i>Incl. in 9032956. Not sold separately.</i>	1
9	-	Screw <i>Incl. in 9032956. Not sold separately.</i>	1
10	-	Drive <i>Incl. in 9032956. Not sold separately.</i>	1

11	-	Retaining ring <i>Incl. in 9032956. Not sold separately.</i>	1
12	-	Shaft seal 14x26x7 <i>Incl. in 9032956. Not sold separately.</i>	1
13	7632532	Washer 15x21x0.1	1
14	8232478	Bushing <i>Loctite 638</i>	1
15	7532540	O-ring 8x1.5	1
16	8232466	Support roller	1
17	8232492	Hexagon nut	1
18	7632528	Screw M6x40 <i>Loctite 243, 15 NM</i>	1
19	7621010	Lock nut M8	1
20	8232507	Bushing	1
22	-	Shaft <i>Incl. in 9032956. Not sold separately.</i>	1
23	8232504	Brass bearing	1
24	7532519	O-ring 5.5x1 <i>Incl. In 9033082</i>	1
25	7532526	O-ring 8.5x1 <i>Incl. In 9033082</i>	1
26	7632547	Set screw M4x5 <i>Loctite 243</i>	1
27	8232505	Adjustment screw	1
28	7621136	Washer M6	1
29	7632642	Set screw M4x6 <i>Loctite 243</i>	1
30	7632941	Pin Ø3x10 <i>Incl. in 9032956.</i>	1
-	9032956	Support roller assy <i>Pos. 2-12,22,30 (Use Grease)</i>	1

HRS400 Ring Saw Spare Part List

From Serial No. 9786

Fig. 6 – Protect Guard

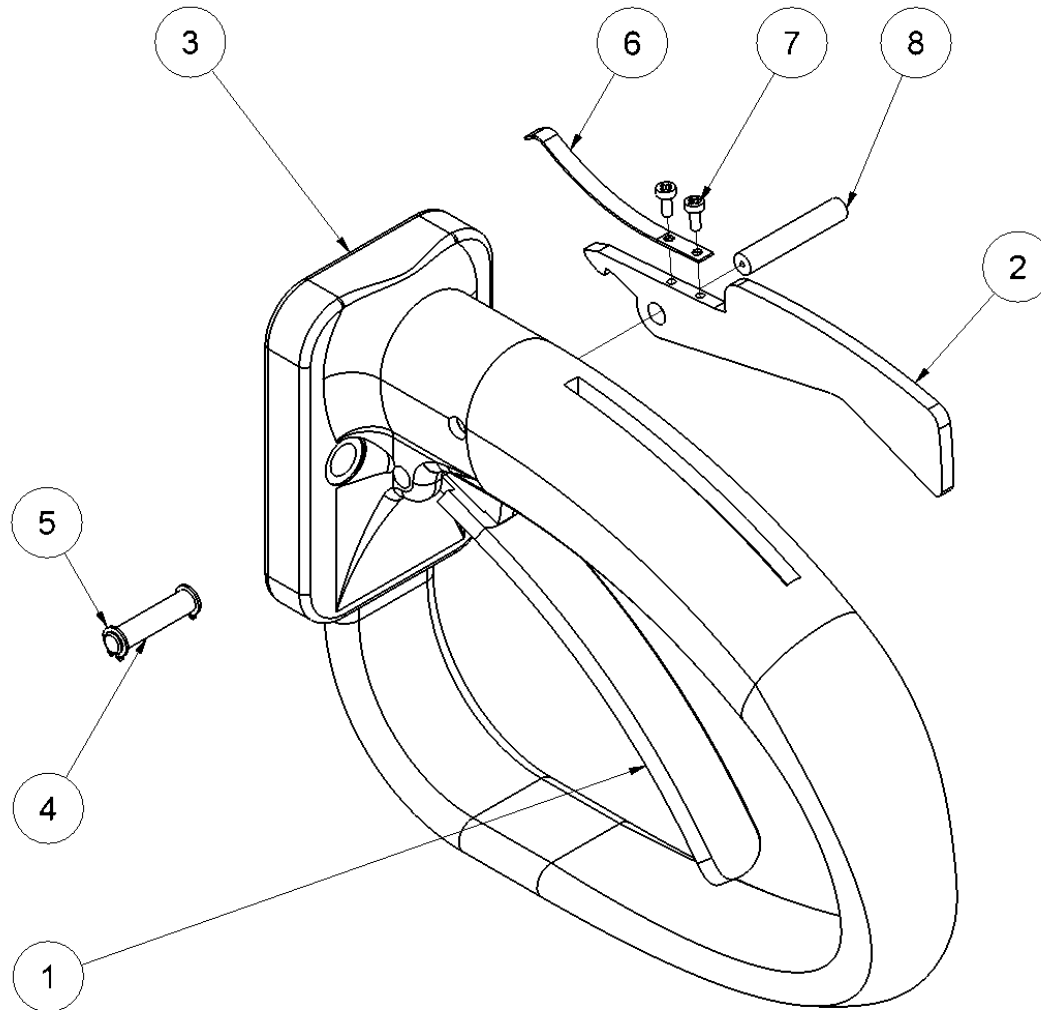


Pos.	Part No.	Description	Pcs.
2	8732463	Guard	1
3	8232494	Nylon roller	2
4	7632511	Washer 5.3x12x1	2
5	7632515	Screw M5x12	2
6	7621028	Nut M6	4
7	7632537	Screw M6x16	4
8	8632516	Tension spring	2
9	7621029	Lock nut M6	2
-	3132480	Guard complete	1

HRS400 Ring Saw Spare Part List

From Serial No. 9786

Fig. 7 - Handle

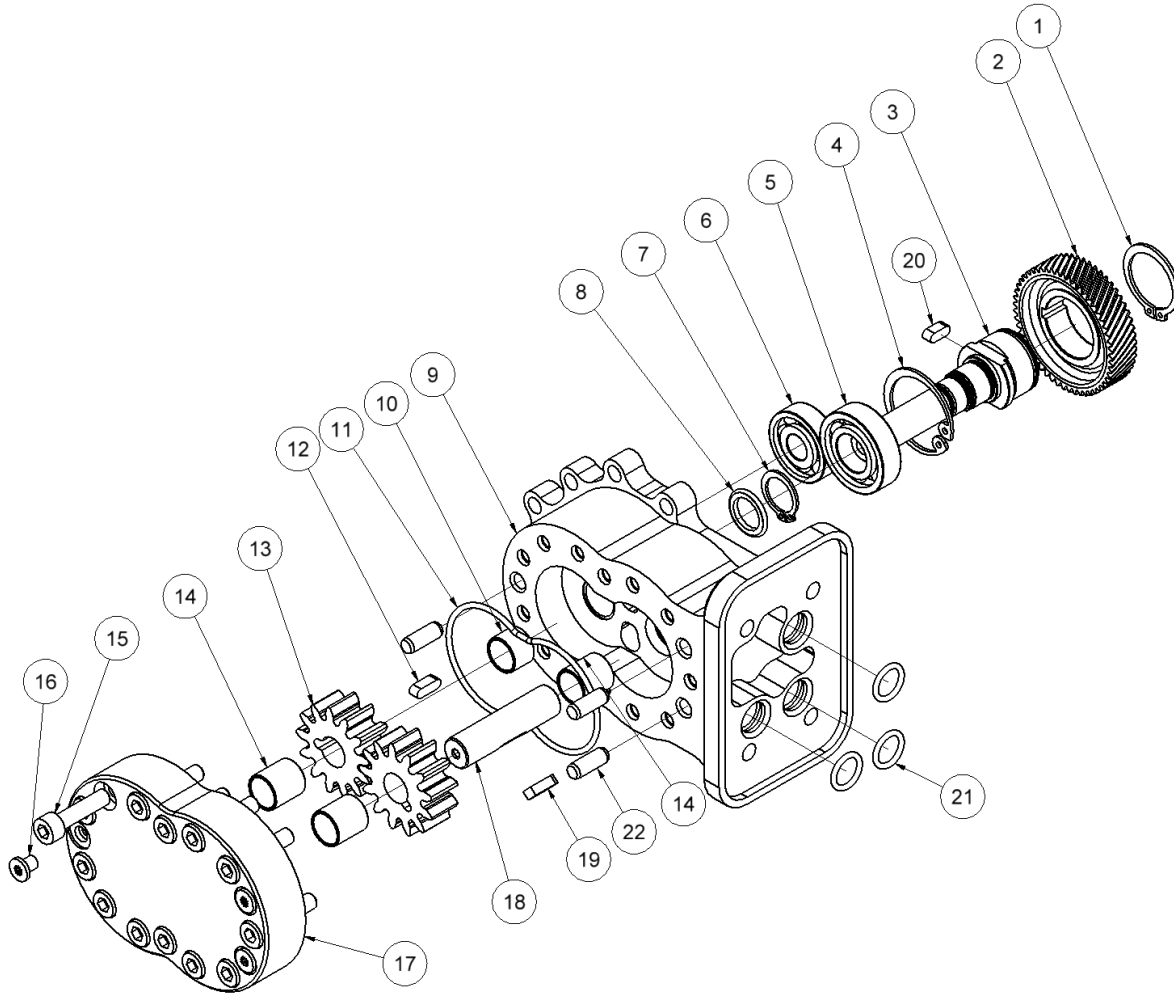


Pos.	Part No.	Description	Pcs.
1	8231471	Trigger lever	1
2	8231472	Safety trigger	1
3	8231485	Handle	1
4	8231396	Pin $\varnothing 6$	1
5	7611306	Retaining ring A6	2
6	8631506	Leaf spring f/safety trigger	1
7	7631589	Screw M2.5x6	2
8	8231507	Pin f/safety trigger	1
-	9031504	Handle complete <i>Pos. 1-8</i>	1

HRS400 Ring Saw Spare Part List

From Serial No. 9786

Fig. 8 - Motor



Pos.	Part No.	Description	Pcs.
1	7632533	Lock Washer A24	1
2	-	Gear Wheel Not sold separately <i>Incl. In 9032955</i>	1
3	8232958	Motor shaft	1
4	7632995	Lock Ring J32	1
5	7632538	Ball Bearing	1
6	7632551	Ball Bearing	1
7	7632649	Lock Ring A15	1
8	7532774	Seal Ring <i>Incl. In 9033082</i>	1
9	-	Motor Housing Not sold separately <i>Incl. In 3132960</i>	1
10	-	Bearing Not sold separately <i>Incl. In 3132960</i>	1
11	7532776	O-Ring <i>Incl. In 9033082</i>	1
12	7632996	Key	1
13	-	Gear Not sold separately <i>Incl. In 3132960</i>	2
14	-	Bearing Not sold separately <i>Incl. In 3132960 & 9033111</i>	3
15	7611243	Screw M6x25 <i>Loctite 243, 8 NM</i>	13
16	7632773	Screw M5x6	3
17	9033111	Lid for Motor w/bearings <i>Pos 17,14</i>	1
18	8232781	Shaft	1
19	7632780	Key	1
20	7632531	Key	1
21	7531493	O-Ring 12x2 <i>Incl. In 9033082</i>	3
22	7632395	Pin	3
-	3132960	Motor Complete	1
-	9032955	Gear Wheel Set <i>Pos 2 and Fig.2 Pos 15</i>	1

HRS400 Ring Saw Service Set



Pos.	Part No.	Description	Pcs.
1	9992660	WD40 spray can	1
2	9992643	Two pin wrench	1
3	9992658	Open spanner 13 mm	1
4	9992659	Allen key 4 mm	1
5	9992661	Feeler gauge	1
6	9992662	Instructions, laminated	1
-	3132663	Service set <i>Pos. 2-5</i>	1
	7902647	HYCON HRS Grease <i>We recommend Q8 ROSSINI EP2 or equivalent grease</i>	1