

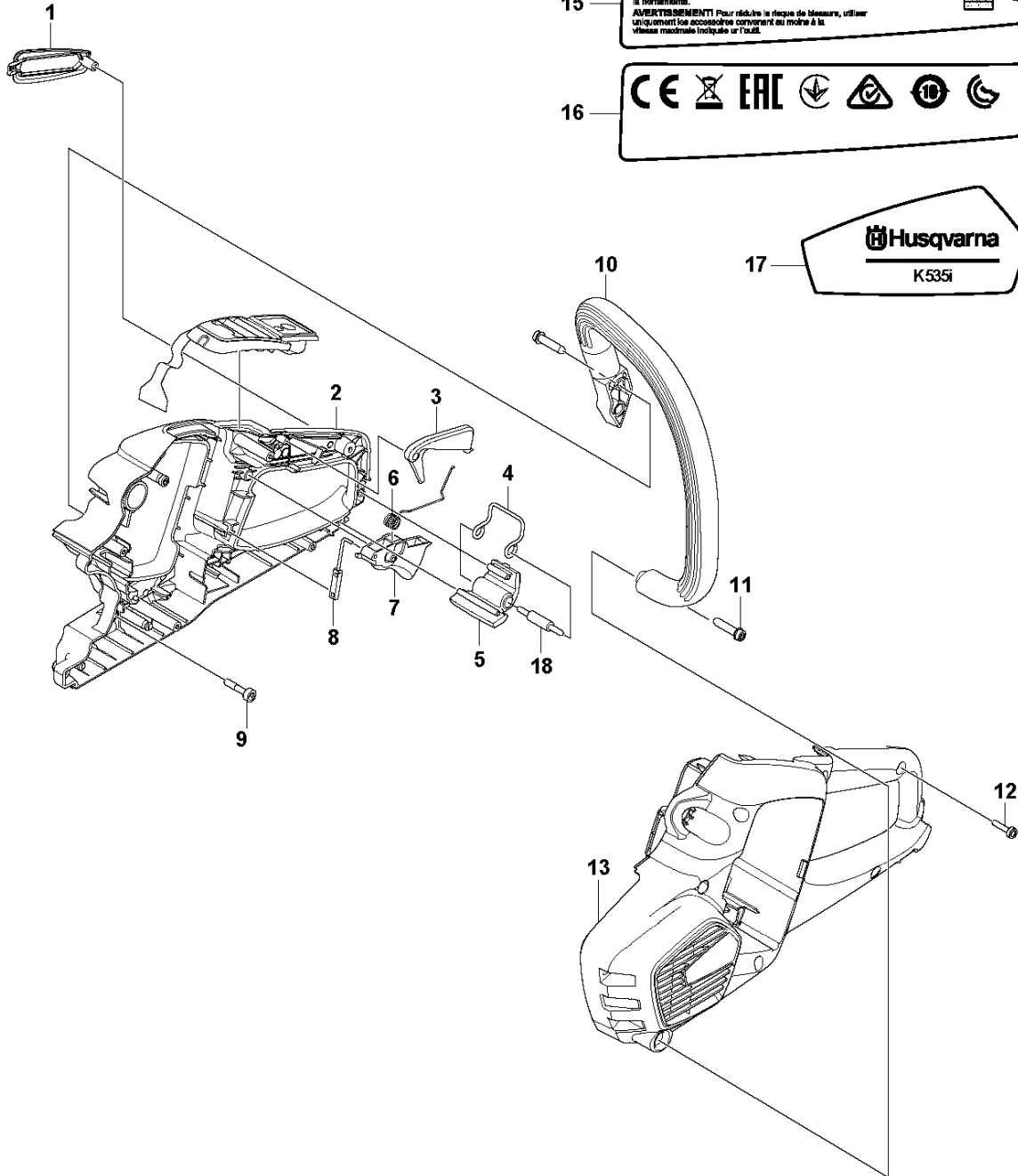


SPARE PARTS LIST

POWER CUTTERS

K 535i , 2018-10

A K 535i
CHASSIS

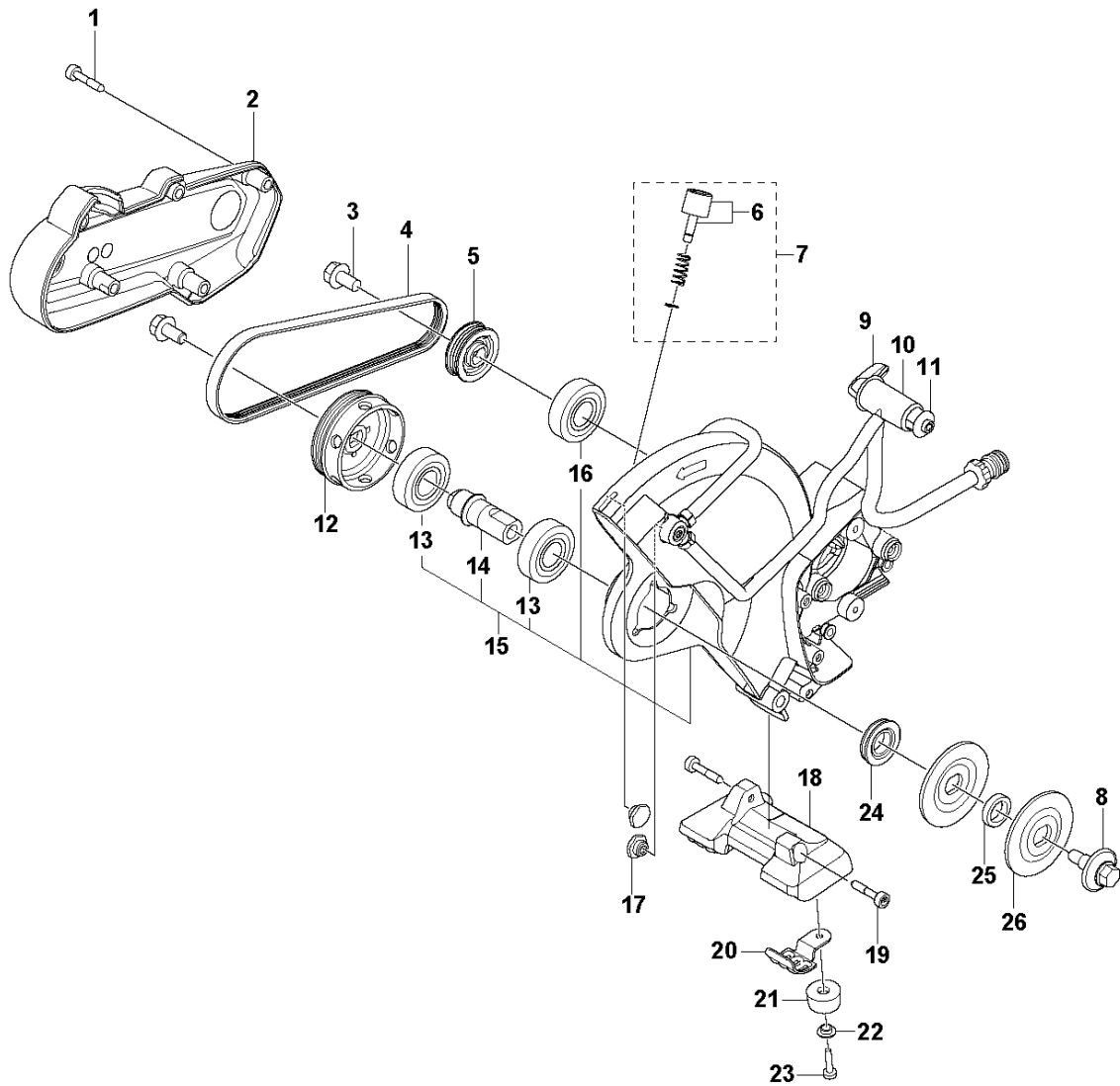


CHASSIS

K 535i , 2018-10

Ref	Part No	Description	Remark	QTY KIT
1	577 26 19-01	HANDLE INSERT		1
2	590 88 82-01	HANDLE HALF		1
3	506 49 57-01	THROTTLE LOCKOUT		1
4	590 91 09-01	LOOP		1
5	590 88 87-01	GROUND SUPPORT		1
6	544 09 99-01	SPRING		1
7	577 31 27-01	THROTTLE CONTROL		1
8	577 85 51-01	THROTTLE ROD ASSY		1
9	503 21 53-26	SCREW ITXSCM		3
10	577 06 35-01	FRONT HANDLE		1
11	525 79 81-03	SCREW ITXSCFT		2
12	580 29 29-01	SCREW ITXSCT		6
13	590 88 83-01	HANDLE HALF		1
14	593 19 93-01	DECAL		1
15	593 19 92-01	DECAL		1
16	593 19 92-02	DECAL		1
17	593 73 27-01	DECAL		1
18	596 32 71-01	PIN		1

B K 535i
BLADE GUARD

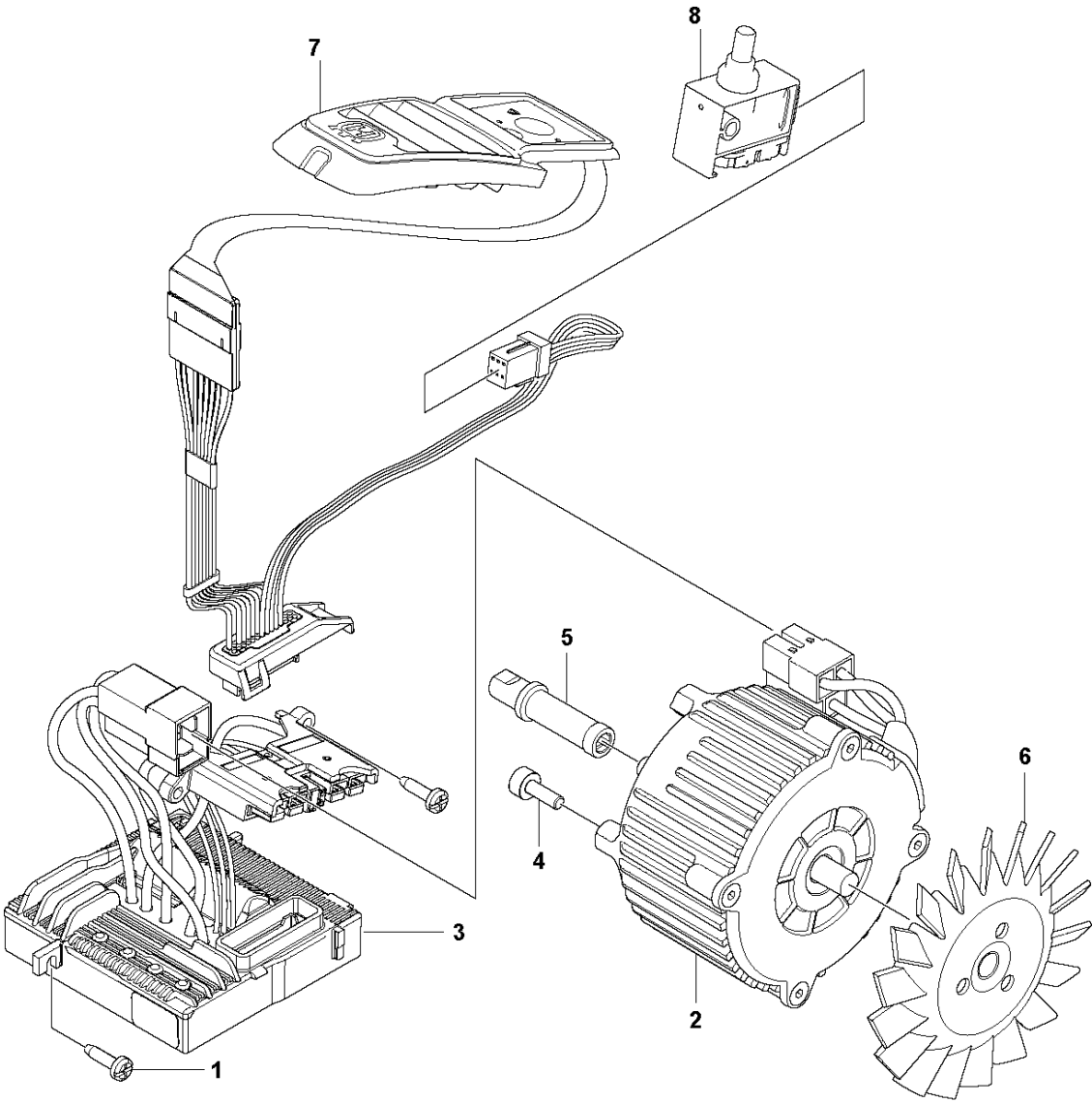


BLADE GUARD

K 535i , 2018-10

Ref	Part No	Description	Remark	QTY	KIT
1	503 21 53-26	SCREW ITXSCM		5	
2	590 88 84-01	BELT GUARD		1	
3	503 20 00-45	SCREW EHHFM		2	
4	590 88 54-01	BELT		1	
5	593 16 10-01	PULLEY		1	
6	596 59 14-01	LOCKING BUTTON		1	
7	596 59 15-01	LOCKING BUTTON		1	
8	590 50 38-01	SCREW		1	
9	590 89 41-01	LEVER		1	
10	591 14 63-01	VALVE ASSY	Including hoses	1	
11	586 44 31-01	SCREW ITXSCFT		1	
12	593 16 11-01	PULLEY		1	
13	583 95 33-01	BALL BEARING		2	15
14	590 88 46-01	SHAFT		1	15
15	596 59 17-01	CUTTER ARM		1	
16	738 22 01-19	BALL BEARING		1	15
17	576 79 84-01	NIPPLE		2	
18	590 88 85-01	GROUND SUPPORT		1	
19	503 21 53-25	SCREW ITXSCM		2	
20	590 88 86-01	WEAR PROTECTION		2	
21	590 48 80-01	DAMPER		2	
22	590 48 81-01	BUSHING		2	
23	580 29 29-01	SCREW ITXSCT		2	
24	590 88 47-01	SUPPORT FLANGE		1	
25	591 10 77-01	BUSHING		1	
26	590 89 03-01	FLANGE		2	

C K 535i
MOTOR

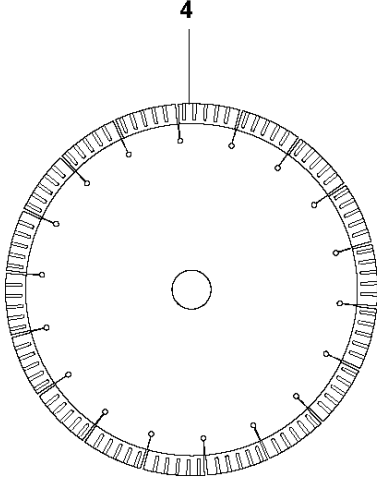
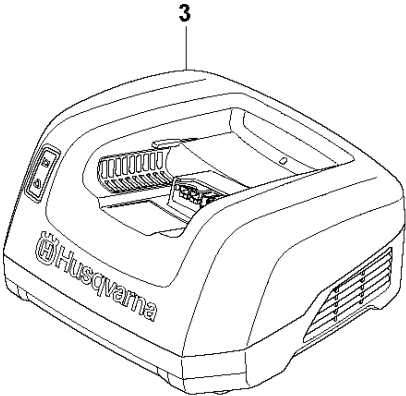
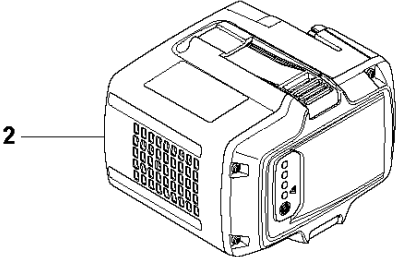
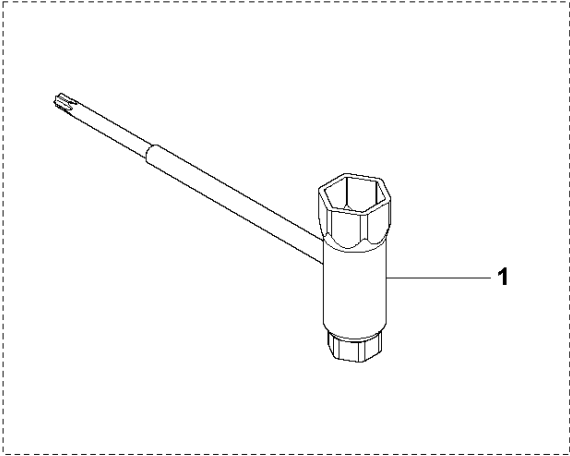


MOTOR

K 535i , 2018-10

Ref	Part No	Description	Remark	QTY KIT
1	578 77 61-03	SCREW ITXPANT		4
2	577 31 58-02	MOTOR ASSY		1
3	591 11 58-01	CONTROL UNIT		1
4	526 81 81-01	SCREW ITXSCM		4
5	593 08 67-01	SHAFT		1
6	581 30 09-01	FAN		1
7	592 63 42-01	WIRING ASSY		1
8	582 05 07-01	TRIGGER SWITCH		1

E K 535i
ACCESSORIES



ACCESSORIES

K 535i , 2018-10

Ref	Part No	Description	Remark	QTY KIT
1	506 38 26-01	TOOL		1
2	967 96 41-01	BATTERY	BLi 200	1
2	967 96 41-02	BATTERY	BLi 200 US/CA	1
2	967 96 43-01	BATTERY	BLi 300	1
2	967 96 43-02	BATTERY	BLi 300 I US/CA	1
3	967 96 49-01	BATTERY CHARGER	QC330 I EU	1
3	967 96 49-02	BATTERY CHARGER	QC330 I UK	1
3	967 96 49-03	BATTERY CHARGER	QC330 I US	1
3	967 96 49-04	BATTERY CHARGER	QC330 I JP	1
3	967 96 49-05	BATTERY CHARGER	QC330 I AU/NZ	1
3	967 96 49-06	BATTERY CHARGER	QC330 I SZ	1
3	967 96 49-07	BATTERY CHARGER	QC330 I BR	1
3	967 96 50-01	BATTERY CHARGER	QC500 I EU	1
3	967 96 50-02	BATTERY CHARGER	QC500 I UK	1
3	967 96 50-03	BATTERY CHARGER	QC500 I US	1
3	967 96 50-04	BATTERY CHARGER	QC500 I JP	1
3	967 96 50-05	BATTERY CHARGER	QC500 I AU/NZ	1
3	967 96 50-06	BATTERY CHARGER	QC500 I SZ	1
4	596 82 66-01	DIAMOND BLADE	ELITE-CUT	1
4	596 52 03-01	DIAMOND BLADE	TACTI-CUT	1
4	574 85 38-01	DIAMOND BLADE	VARI-CUT	1
4	596 82 67-01	ABRASIVE DISC	ABRASIVE DISC METAL	1